

จัดการธุรกิจให้ง่ายและทันสมัยเพียงปลายนิ้ว
สินค้า ไวกุ๊กสัมผัส รองรับการใช้งานได้ทุกรูปแบบ



ประสบการณ์มากกว่า
22 ปี



ยอดขายมากกว่า
7,000+ จอ



ศูนย์บริการ
12 แห่งทั่วประเทศ



TOUCH SCREEN CATALOG

HI-TOP TECHNOLOGY CO.,LTD.
จอ TOUCH SCREEN โดย บริษัท ไฮ-ท็อป เทคโนโลยี จำกัด

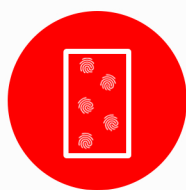
HI-TOP
TECHNOLOGY CO.,LTD.

ซอฟต์แวร์ทุกฟังก์ชันการทำงานให้ง่ายขึ้น

HI-TOP TOUCH SCREEN



แข็งแรง ทนทาน
สามารถใช้งานกลางแจ้ง



ระบบมัลติทัชสกรีน
สัมผัสพร้อมกัน
ได้ถึง 10 จุด



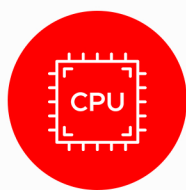
ป้องกันน้ำ-ฝุ่น
มาตรฐาน IP65



รองรับการใช้งานเสียง
ด้วยลำโพงในตัว



รองรับทั้งระบบปฏิบัติการ
Windows และ Android



มี Spec ให้เลือกหลากหลาย
(CPU i3, i5, i7)



สะดวกในการใช้งานและติดตั้ง
ด้วย VESA MOUNT



สามารถรันแอปพลิเคชัน
และภาพกราฟิกได้

HI-TOP TOUCH SCREEN



TOUCH PANEL ANDROID

HI-TOP TOUCH SCREEN 7" TOUCH SCREEN FOR ANDROID

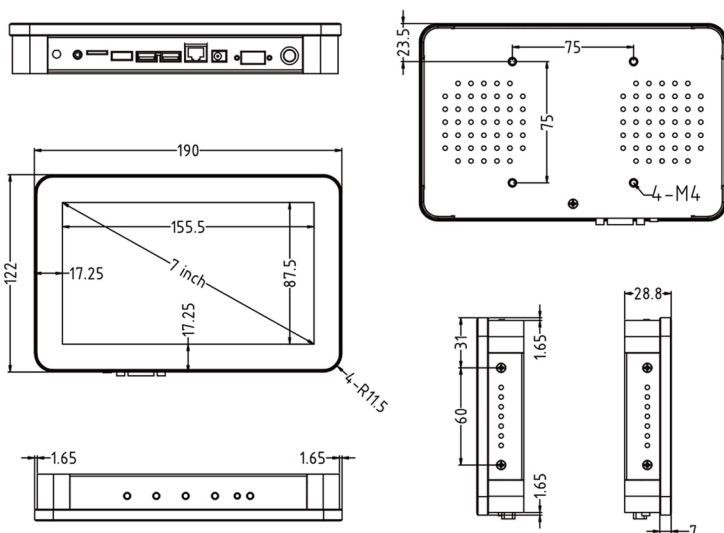


Multiple I/O
HDMI/USB/LAN/COM

Full Aluminum Chassis
corrosion and oxidation resistance

Android OS
Operation System

Dimension



PC System

| | Rockchip RK3568 | Rockchip RK3288 | Rockchip RK3399 |
|------------------|----------------------------------|----------------------------------|----------------------------------|
| CPU | Rockchip RK3568 | Rockchip RK3288 | Rockchip RK3399 |
| Graphic GPU | ARM G52 2EE | Mali-T764 | PowerVR G6110 |
| Audio | - | - | - |
| Memory | 2G (4G optional) | 2G (4G optional) | 2G (4G optional) |
| Storage | 16G/32G eMMC | 16G/32G eMMC | 16G/32G eMMC |
| Network | 10/100M RJ45, 802.11a/b/g/n Wifi | 10/100M RJ45, 802.11a/b/g/n Wifi | 10/100M RJ45, 802.11a/b/g/n Wifi |
| Pre-installed OS | Android 11 | Android 9 | Android 9 |

LCD Panel

| | |
|---------------------------------|--------------------|
| IP Rating | IP65 Front |
| Screen diagonal | 7inch |
| Display active screen size (mm) | 155.5(W)*87.5(H)mm |
| Aspect ratio | 16:9 |
| Physical resolution | 1024*600 |
| Colours displayed | 16.7M |
| Brightness (cd/m2) | 250 |
| Contrast | 1000:1 |
| Visual Angle H/V (°) | 175/175 |
| Backlight Lifetime (hours) | LED / 30,000 |

Operation

| | |
|----------------------------|--------------|
| Operating Temperature (°C) | 0°C-50°C |
| Humidity Range (RH) | 0% - 90% |
| Net weight (kg) | 0.74kg |
| Gross weight (kg) | 1.75kg |
| Housing material | Sheet Metal |
| Housing (mm) L × W × H | 190*122*28.8 |
| Mounting | 75*75 |

Power

| | |
|--------------------------|--------------|
| Power Supply | 100-240V AC; |
| Working Power (V) | 12 |
| Power Consumption (W) | <25 |
| Stand-By Consumption (W) | <1 |

Touch Panel

| | |
|------------------|----------------------|
| Touch Technology | Projected Capacitive |
| Touch Connector | USB |
| Surface Hardness | 6 |

Internal Connectors

| | | | |
|------------------------|-----|------------------------|----------|
| USB2.0 (In-board pins) | x 3 | Pin for Headphone | x1 |
| DB9 (TTL) | X3 | Pin for 12V power | x1 |
| Pin for Mic | x1 | Pin for Speaker(3W/4Q) | x1 |
| Pin for Remote | x1 | Pin for GPIO | x1 |
| Pin for Button | x1 | Sim Card slot | optional |

External Connectors

| | | | |
|------------|----|--------------|----|
| 12v DC IN | x1 | HDMI out | x1 |
| OTG USB | x1 | USB | X1 |
| RJ45 Ports | x1 | Tf card slot | x1 |
| Headphone | x1 | | |

Included in the Delivery

| | | | |
|--------------------|----|--------------|----|
| Manual | x1 | Power Supply | x1 |
| Wall mount bracket | x1 | WiFi antenna | X1 |

Installation



HI-TOP TOUCH SCREEN

8" TOUCH SCREEN FOR ANDROID

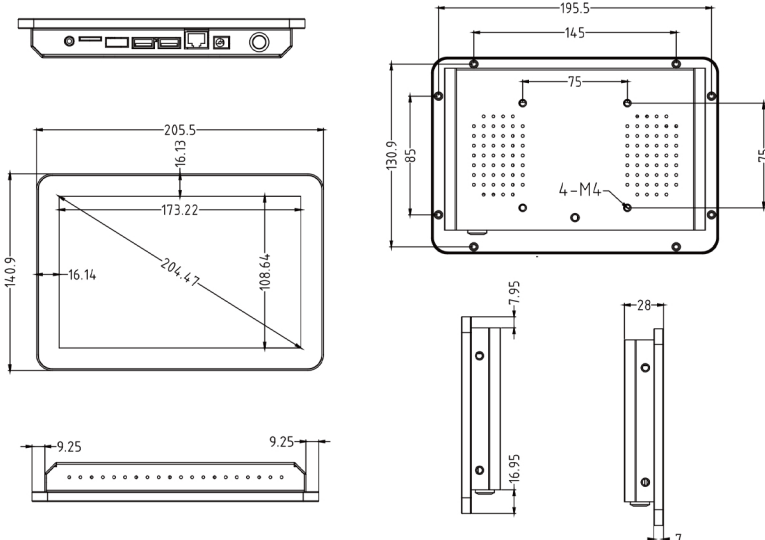


Multiple I/O
HDMI/USB/LAN/COM

Full Aluminum Chassis
corrosion and oxidation resistance

Android OS
Operation System

Dimension



PC System

| | Rockchip RK3568 | Rockchip RK3288 | Rockchip RK3399 |
|---------------|----------------------------------|----------------------------------|----------------------------------|
| CPU | Rockchip RK3568 | Rockchip RK3288 | Rockchip RK3399 |
| Graphic GPU | ARM G52 2EE | Mali-T764 | PowerVR G6110 |
| Audio | - | - | - |
| Memory | 2G (4G optional) | 2G (4G optional) | 2G (4G optional) |
| Storage | 16G/32G eMMC | 16G/32G eMMC | 16G/32G eMMC |
| Network | 10/100M RJ45, 802.11a/b/g/n Wifi | 10/100M RJ45, 802.11a/b/g/n Wifi | 10/100M RJ45, 802.11a/b/g/n Wifi |
| Pre-installed | Android 11 | Android 9 | Android 9 |

LCD Panel

| | |
|---------------------------------|-----------------|
| IP Rating | IP65 Front |
| Screen diagonal | 8inch |
| Display active screen size (mm) | 173(W)*108.6(H) |
| Aspect ratio | 16:9 |
| Physical resolution | 1280*800 |
| Colours displayed | 16.7M |
| Brightness (cd/m2) | 250 |
| Contrast | 1000:1 |
| Visual Angle H/V (°) | 175/175 |
| Backlight Lifetime (hours) | LED / 30,000 |

Operation

| | |
|----------------------------|----------------|
| Operating Temperature (°C) | 0°C-50°C |
| Humidity Range (RH) | 0% - 90% |
| Net weight (kg) | 0.95kg |
| Gross weight (kg) | 1.95kg |
| Housing material | Sheet Metal |
| Housing (mm) L × W × H | 140.9*205.5*28 |
| Mounting | 75*75 |

Power

| | |
|--------------------------|--------------|
| Power Supply | 100-240V AC; |
| Working Power (V) | 12 |
| Power Consumption (W) | <25 |
| Stand-By Consumption (W) | <1 |

Touch Panel

| | |
|------------------|----------------------|
| Touch Technology | Projected Capacitive |
| Touch Connector | USB |
| Surface Hardness | 6 |

Internal Connectors

| | | | |
|------------------------|-----|------------------------|----------|
| USB2.0 (In-board pins) | x 3 | Pin for Headphone | x1 |
| DB9 (TTL) | X3 | Pin for 12V power | x1 |
| Pin for Mic | x1 | Pin for Speaker(3W/4Ω) | x1 |
| Pin for Remote | x1 | Pin for GPIO | x1 |
| Pin for Button | x1 | Sim Card slot | optional |

External Connectors

| | | | |
|------------|----|--------------|----|
| 12V DC IN | x1 | HDMI out | x1 |
| OTG USB | x1 | USB | X1 |
| RJ45 Ports | x1 | Tf card slot | x1 |
| Headphone | x1 | | |

Included in the Delivery

| | | | |
|--------------------|----|--------------|----|
| Manual | x1 | Power Supply | x1 |
| Wall mount bracket | x1 | WIFI antenna | X1 |

Installation



HI-TOP TOUCH SCREEN

10.1" TOUCH SCREEN FOR ANDROID



Multiple I/O

HDMI/USB/LAN/COM

Full Aluminum Chassis

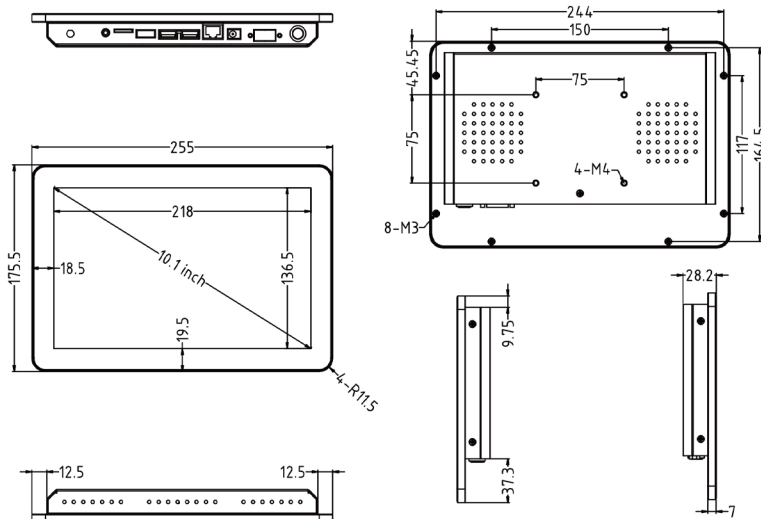
corrosion and oxidation resistance



Android OS

Operation System

Dimension



PC System

| | Rockchip RK3568 | Rockchip RK3288 | Rockchip RK3399 |
|---------------|----------------------------------|----------------------------------|----------------------------------|
| CPU | Rockchip RK3568 | Rockchip RK3288 | Rockchip RK3399 |
| Graphic GPU | ARM G52 E2E | Mali-T764 | PowerVR G6110 |
| Audio | - | - | - |
| Memory | 2G (4G optional) | 2G (4G optional) | 2G (4G optional) |
| Storage | 16G/32G eMMC | 16G/32G eMMC | 16G/32G eMMC |
| Network | 10/100M RJ45, 802.11a/b/g/n Wifi | 10/100M RJ45, 802.11a/b/g/n Wifi | 10/100M RJ45, 802.11a/b/g/n Wifi |
| Pre-installed | Android 11 | Android 9 | Android 9 |

LCD Panel

| | |
|---------------------------------|-----------------|
| IP Rating | IP65 Front |
| Screen diagonal | 10.1inch |
| Display active screen size (mm) | 218(W)*136.5(H) |
| Aspect ratio | 16:9 |
| Physical resolution | 1280*800 |
| Colours displayed | 16.7M |
| Brightness (cd/m2) | 250 |
| Contrast | 1000:1 |
| Visual Angle H/V (°) | 175/175 |
| Backlight Lifetime (hours) | LED / 30,000 |

Operation

| | |
|----------------------------|----------------|
| Operating Temperature (°C) | 0°C-50°C |
| Humidity Range (RH) | 0% - 90% |
| Net weight (kg) | 0.8kg |
| Gross weight (kg) | 2kg |
| Housing material | Aluminum |
| Housing (mm) L × W × H | 255*175.5*28.2 |
| Mounting | 75*75 |

Power

| | |
|--------------------------|--------------|
| Power Supply | 100-240V AC; |
| Working Power (V) | 12 |
| Power Consumption (W) | <25 |
| Stand-By Consumption (W) | <1 |

Touch Panel

| | |
|------------------|----------------------|
| Touch Technology | Projected Capacitive |
| Touch Connector | USB |
| Surface Hardness | 6 |

Internal Connectors

| | | | |
|------------------------|-----|------------------------|----------|
| USB2.0 (In-board pins) | x 3 | Pin for Headphone | x1 |
| DB9 (TTL) | X3 | Pin for 12V power | x1 |
| Pin for Mic | x1 | Pin for Speaker(3W/4Ω) | x1 |
| Pin for Remote | x1 | Pin for GPIO | x1 |
| Pin for Button | x1 | Sim Card slot | optional |

External Connectors

| | | | |
|------------|----|--------------|----------|
| 12v DC IN | x1 | HDMI out | x1 |
| OTG USB | x1 | USB | X1 |
| RJ45 Ports | x1 | Tf card slot | x1 |
| Headphone | x1 | DB9 (TTL) | optional |

Included in the Delivery

| | | | |
|--------------------|----|--------------|----|
| Manual | x1 | Power Supply | x1 |
| Wall mount bracket | x1 | WIFI antenna | X1 |

Installation



HI-TOP TOUCH SCREEN

11.6" TOUCH SCREEN FOR ANDROID

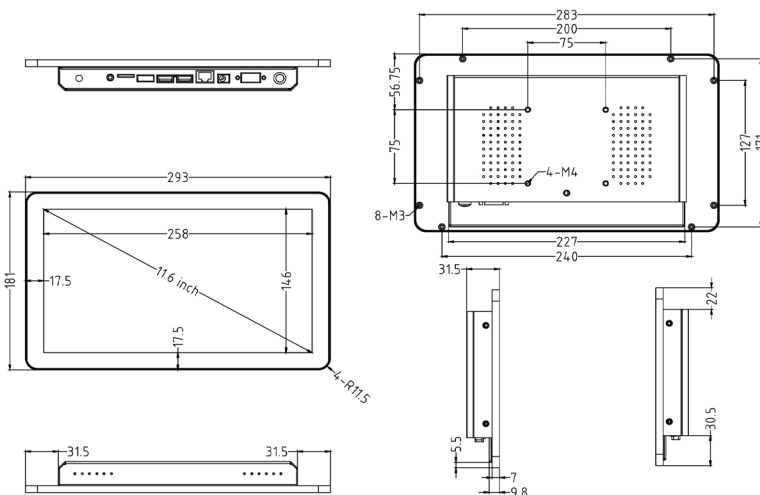


Multiple I/O
HDMI/USB/LAN/COM

Full Aluminum Chassis
corrosion and oxidation resistance

Android OS
Operation System

Dimension



PC System

| | Rockchip RK3568 | Rockchip RK3288 | Rockchip RK3399 |
|---------------|----------------------------------|----------------------------------|----------------------------------|
| CPU | Rockchip RK3568 | Rockchip RK3288 | Rockchip RK3399 |
| Graphic GPU | ARM G52 2EE | Mali-T764 | PowerVR G6110 |
| Audio | - | - | - |
| Memory | 2G (4G optional) | 2G (4G optional) | 2G (4G optional) |
| Storage | 16G/32G eMMC | 16G/32G eMMC | 16G/32G eMMC |
| Network | 10/100M RJ45, 802.11a/b/g/n Wifi | 10/100M RJ45, 802.11a/b/g/n Wifi | 10/100M RJ45, 802.11a/b/g/n Wifi |
| Pre-installed | Android 11 | Android 9 | Android 9 |

LCD Panel

| | |
|---------------------------------|---------------|
| IP Rating | IP65 Front |
| Screen diagonal | 11.6inch |
| Display active screen size (mm) | 258(W)*146(H) |
| Aspect ratio | 16:9 |
| Physical resolution | 1920*1080 |
| Colours displayed | 16.7M |
| Brightness (cd/m2) | 250 |
| Contrast | 1000:1 |
| Visual Angle H/V (°) | 175/175 |
| Backlight Lifetime (hours) | LED / 30,000 |

Operation

| | |
|----------------------------|--------------|
| Operating Temperature (°C) | 0°C-50°C |
| Humidity Range (RH) | 0% - 90% |
| Net weight (kg) | 1.19kg |
| Gross weight (kg) | 2.34kg |
| Housing material | Aluminum |
| Housing (mm) L × W × H | 293*181*31.5 |
| Mounting | 75*75 |

Power

| | |
|--------------------------|--------------|
| Power Supply | 100-240V AC; |
| Working Power (V) | 12 |
| Power Consumption (W) | <25 |
| Stand-By Consumption (W) | <1 |

Touch Panel

| | |
|------------------|----------------------|
| Touch Technology | Projected Capacitive |
| Touch Connector | USB |
| Surface Hardness | 6 |

Internal Connectors

| | | | |
|------------------------|-----|------------------------|----------|
| USB2.0 (In-board pins) | x 3 | Pin for Headphone | x1 |
| DB9 (TTL) | X3 | Pin for 12V power | x1 |
| Pin for Mic | x1 | Pin for Speaker(3W/40) | x1 |
| Pin for Remote | x1 | Pin for GPIO | x1 |
| Pin for Button | x1 | Sim Card slot | optional |

External Connectors

| | | | |
|------------|----|--------------|----------|
| 12v DC IN | x1 | HDMI out | x1 |
| OTG USB | x1 | USB | X1 |
| RJ45 Ports | x1 | Tf card slot | x1 |
| Headphone | x1 | DB9 (TTL) | optional |

Included in the Delivery

| | | | |
|--------------------|----|--------------|----|
| Manual | x1 | Power Supply | x1 |
| Wall mount bracket | x1 | WIFI antenna | X1 |

Installation




HI-TOP TOUCH SCREEN

13.3" TOUCH SCREEN FOR ANDROID

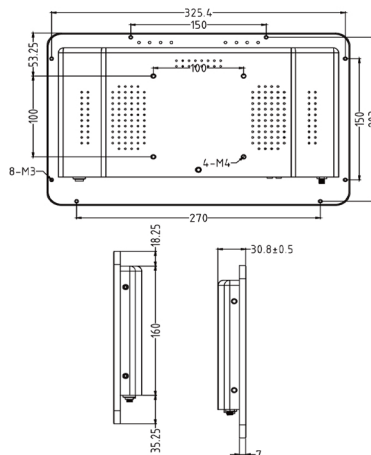
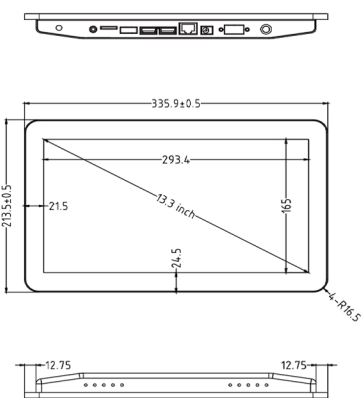


Multiple I/O
HDMI/USB/LAN/COM

Full Aluminum Chassis
corrosion and oxidation resistance

 **Android OS**
Operation System

Dimension



PC System

| | Rockchip RK3568 | Rockchip RK3288 | Rockchip RK3399 |
|---------------|----------------------------------|----------------------------------|----------------------------------|
| CPU | Rockchip RK3568 | Rockchip RK3288 | Rockchip RK3399 |
| Graphic GPU | ARM G52 2EE | Mali-T764 | PowerVR G6110 |
| Audio | - | - | - |
| Memory | 2G (4G optional) | 2G (4G optional) | 2G (4G optional) |
| Storage | 16G/32G eMMC | 16G/32G eMMC | 16G/32G eMMC |
| Network | 10/100M RJ45, 802.11a/b/g/n Wifi | 10/100M RJ45, 802.11a/b/g/n Wifi | 10/100M RJ45, 802.11a/b/g/n Wifi |
| Pre-installed | Android 11 | Android 9 | Android 9 |

LCD Panel

| | |
|---------------------------------|-------------------|
| IP Rating | IP65 Front |
| Screen diagonal | 13.3inch |
| Display active screen size (mm) | 293.4 (W)*165 (H) |
| Aspect ratio | 16:9 |
| Physical resolution | 1920*1080 |
| Colours displayed | 16.7M |
| Brightness (cd/m2) | 250 |
| Contrast | 1000:1 |
| Visual Angle H/V (°) | 175/175 |
| Backlight Lifetime (hours) | LED / 30,000 |

Operation

| | |
|----------------------------|----------------|
| Operating Temperature (°C) | 0°C-50°C |
| Humidity Range (RH) | 0%-90% |
| Net weight (kg) | 1.2kg |
| Gross weight (kg) | 2.5kg |
| Housing material | Aluminum |
| Housing (mm) L × W × H | 324.8*200.3*31 |
| Mounting | 75*75 |

Power

| | |
|--------------------------|--------------|
| Power Supply | 100-240V AC; |
| Working Power (V) | 12 |
| Power Consumption (W) | <25 |
| Stand-By Consumption (W) | <1 |

Touch Panel

| | |
|------------------|----------------------|
| Touch Technology | Projected Capacitive |
| Touch Connector | USB |
| Surface Hardness | 6 |

Internal Connectors

| | | | |
|------------------------|-----|------------------------|----------|
| USB2.0 (In-board pins) | x 3 | Pin for Headphone | x1 |
| DB9 (TTL) | X3 | Pin for 12V power | x1 |
| Pin for Mic | x1 | Pin for Speaker(3W/4Ω) | x1 |
| Pin for Remote | x1 | Pin for GPIO | x1 |
| Pin for Button | x1 | Sim Card slot | optional |

External Connectors

| | | | |
|------------|----|--------------|----------|
| 12v DC IN | x1 | HDMI out | x1 |
| OTG USB | x1 | USB | X1 |
| RJ45 Ports | x1 | Tf card slot | x1 |
| Headphone | x1 | DB9 (TTL) | optional |

Included in the Delivery

| | | | |
|--------------------|----|--------------|----|
| Manual | x1 | Power Supply | x1 |
| Wall mount bracket | x1 | WIFI antenna | X1 |

Installation



HI-TOP TOUCH SCREEN

14" TOUCH SCREEN FOR ANDROID



Multiple I/O

HDMI/USB/LAN/COM

Full Aluminum Chassis

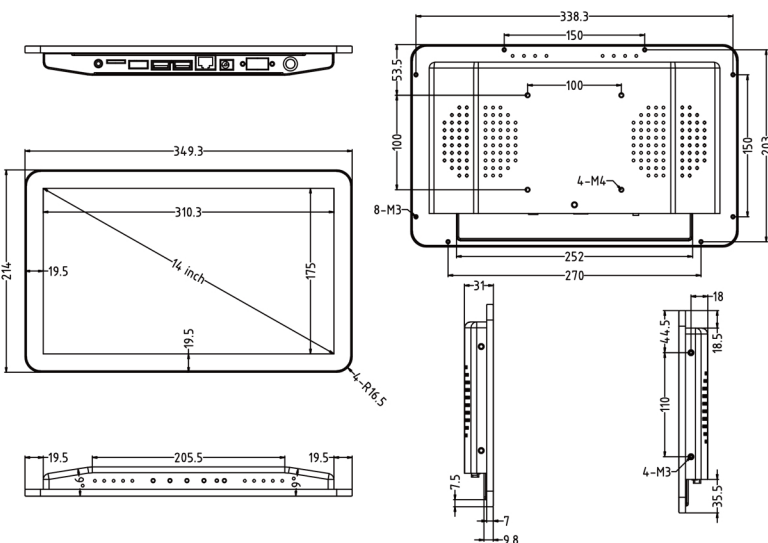
corrosion and oxidation resistance



Android OS

Operation System

Dimension



PC System

| | Rockchip RK3568 | Rockchip RK3288 | Rockchip RK3399 |
|---------------|----------------------------------|----------------------------------|----------------------------------|
| CPU | Rockchip RK3568 | Rockchip RK3288 | Rockchip RK3399 |
| Graphic GPU | ARM G52 2EE | Mali-T764 | PowerVR G6110 |
| Audio | - | - | - |
| Memory | 2G (4G optional) | 2G (4G optional) | 2G (4G optional) |
| Storage | 16G/32G eMMC | 16G/32G eMMC | 16G/32G eMMC |
| Network | 10/100M RJ45, 802.11a/b/g/n Wifi | 10/100M RJ45, 802.11a/b/g/n Wifi | 10/100M RJ45, 802.11a/b/g/n Wifi |
| Pre-installed | Android 11 | Android 9 | Android 9 |

LCD Panel

| | |
|---------------------------------|-------------------|
| IP Rating | IP65 Front |
| Screen diagonal | 14inch |
| Display active screen size (mm) | 310.3 (W)*175 (H) |
| Aspect ratio | 16:9 |
| Physical resolution | 1920*1080 |
| Colours displayed | 16.7M |
| Brightness (cd/m2) | 250 |
| Contrast | 1000:1 |
| Visual Angle H/V (°) | 175/175 |
| Backlight Lifetime (hours) | LED / 30,000 |

Operation

| | |
|----------------------------|--------------|
| Operating Temperature (°C) | 0°C-50°C |
| Humidity Range (RH) | 0% - 90% |
| Net weight (kg) | 1.23kg |
| Gross weight (kg) | 2.34kg |
| Housing material | Aluminum |
| Housing (mm) L × W × H | 349.3*214*31 |
| Mounting | 100*100 |

Power

| | |
|--------------------------|--------------|
| Power Supply | 100-240V AC; |
| Working Power (V) | 12 |
| Power Consumption (W) | <25 |
| Stand-By Consumption (W) | <1 |

Touch Panel

| | |
|------------------|----------------------|
| Touch Technology | Projected Capacitive |
| Touch Connector | USB |
| Surface Hardness | 6 |

Internal Connectors

| | | | |
|------------------------|-----|------------------------|----------|
| USB2.0 (In-board pins) | x 3 | Pin for Headphone | x1 |
| DB9 (TTL) | X3 | Pin for 12V power | x1 |
| Pin for Mic | x1 | Pin for Speaker(3W/4Ω) | x1 |
| Pin for Remote | x1 | Pin for GPIO | x1 |
| Pin for Button | x1 | Sim Card slot | optional |

External Connectors

| | | | |
|------------|----|--------------|----------|
| 12v DC IN | x1 | HDMI out | x1 |
| OTG USB | x1 | USB | X1 |
| RJ45 Ports | x1 | Tf card slot | x1 |
| Headphone | x1 | DB9 (TTL) | optional |

Included in the Delivery

| | | | |
|--------------------|----|--------------|----|
| Manual | x1 | Power Supply | x1 |
| Wall mount bracket | x1 | WIFI antenna | X1 |

Installation



HI-TOP TOUCH SCREEN

15.6" TOUCH SCREEN FOR ANDROID



Multiple I/O

HDMI/USB/LAN/COM

Full Aluminum Chassis

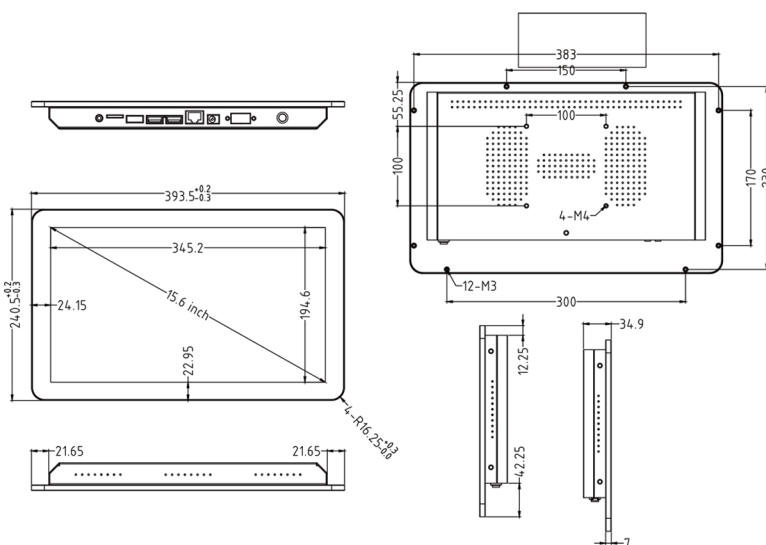
corrosion and oxidation resistance



Android OS

Operation System

Dimension



PC System

| | Rockchip RK3568 | Rockchip RK3288 | Rockchip RK3399 |
|---------------|----------------------------------|----------------------------------|----------------------------------|
| CPU | Rockchip RK3568 | Rockchip RK3288 | Rockchip RK3399 |
| Graphic GPU | ARM G52 2EE | Mali-T764 | PowerVR G6110 |
| Audio | - | - | - |
| Memory | 2G (4G optional) | 2G (4G optional) | 2G (4G optional) |
| Storage | 16G/32G eMMC | 16G/32G eMMC | 16G/32G eMMC |
| Network | 10/100M RJ45, 802.11a/b/g/n Wifi | 10/100M RJ45, 802.11a/b/g/n Wifi | 10/100M RJ45, 802.11a/b/g/n Wifi |
| Pre-installed | Android 11 | Android 9 | Android 9 |

LCD Panel

| | |
|---------------------------------|---------------------|
| IP Rating | IP65 Front |
| Screen diagonal | 15.6inch |
| Display active screen size (mm) | 345.2 (W)*194.6 (H) |
| Aspect ratio | 16:9 |
| Physical resolution | 1920*1080 |
| Colours displayed | 16.7M |
| Brightness (cd/m2) | 250 |
| Contrast | 1000:1 |
| Visual Angle H/V (°) | 175/175 |
| Backlight Lifetime (hours) | LED / 30,000 |

Operation

| | |
|----------------------------|--------------|
| Operating Temperature (°C) | 0°C-50°C |
| Humidity Range (RH) | 0% - 90% |
| Net weight (kg) | 1.65kg |
| Gross weight (kg) | 3.07kg |
| Housing material | Aluminum |
| Housing (mm) L × W × H | 394*241*34.9 |
| Mounting | 75*75 |

Power

| | |
|--------------------------|--------------|
| Power Supply | 100-240V AC; |
| Working Power (V) | 12 |
| Power Consumption (W) | <25 |
| Stand-By Consumption (W) | <1 |

Touch Panel

| | |
|------------------|----------------------|
| Touch Technology | Projected Capacitive |
| Touch Connector | USB |
| Surface Hardness | 6 |

Internal Connectors

| | | | |
|------------------------|-----|------------------------|----------|
| USB2.0 (In-board pins) | x 3 | Pin for Headphone | x1 |
| DB9 (TTL) | X3 | Pin for 12V power | x1 |
| Pin for Mic | x1 | Pin for Speaker(3W/4Ω) | x1 |
| Pin for Remote | x1 | Pin for GPIO | x1 |
| Pin for Button | x1 | Sim Card slot | optional |

External Connectors

| | | | |
|------------|----|--------------|----------|
| 12v DC IN | x1 | HDMI out | x1 |
| OTG USB | x1 | USB | X1 |
| RJ45 Ports | x1 | Tf card slot | x1 |
| Headphone | x1 | DB9 (TTL) | optional |

Included in the Delivery

| | | | |
|--------------------|----|--------------|----|
| Manual | x1 | Power Supply | x1 |
| Wall mount bracket | x1 | WIFI antenna | X1 |

Installation



HI-TOP TOUCH SCREEN

17.3" TOUCH SCREEN FOR ANDROID

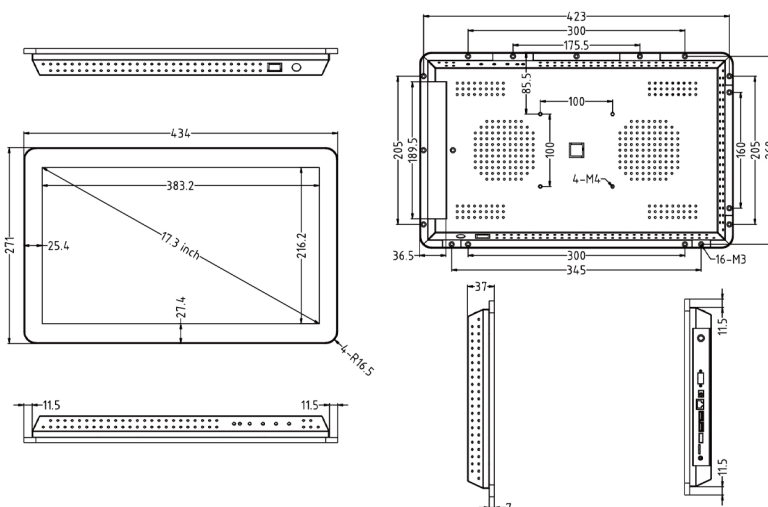


Multiple I/O
HDMI/USB/LAN/COM

Sheet metal Chassis
corrosion and oxidation resistance

Android OS
Operation System

Dimension



PC System

| | Rockchip RK3568 | Rockchip RK3288 | Rockchip RK3399 |
|---------------|----------------------------------|----------------------------------|----------------------------------|
| CPU | Rockchip RK3568 | Rockchip RK3288 | Rockchip RK3399 |
| Graphic GPU | ARM G52 2EE | Mali-T764 | PowerVR G6110 |
| Audio | - | - | - |
| Memory | 2G (4G optional) | 2G (4G optional) | 2G (4G optional) |
| Storage | 16G/32G eMMC | 16G/32G eMMC | 16G/32G eMMC |
| Network | 10/100M RJ45, 802.11a/b/g/n Wifi | 10/100M RJ45, 802.11a/b/g/n Wifi | 10/100M RJ45, 802.11a/b/g/n Wifi |
| Pre-installed | Android 11 | Android 9 | Android 9 |

LCD Panel

| | |
|---------------------------------|---------------------|
| IP Rating | IP65 Front |
| Screen diagonal | 17.3inch |
| Display active screen size (mm) | 383.2 (W)*216.2 (H) |
| Aspect ratio | 16:9 |
| Physical resolution | 1920*1080 |
| Colours displayed | 16.7M |
| Brightness (cd/m2) | 250 |
| Contrast | 1000:1 |
| Visual Angle H/V (°) | 175/175 |
| Backlight Lifetime (hours) | LED / 30,000 |

Operation

| | |
|----------------------------|------------|
| Operating Temperature (°C) | 0°C-50°C |
| Humidity Range (RH) | 0% - 90% |
| Net weight (kg) | 3.06kg |
| Gross weight (kg) | 5.05kg |
| Housing material | Aluminum |
| Housing (mm) L × W × H | 434*271*37 |
| Mounting | 75*75 |

Power

| | |
|--------------------------|-------------|
| Power Supply | 100-240VAC; |
| Working Power (V) | 12 |
| Power Consumption (W) | <25 |
| Stand-By Consumption (W) | <1 |

Touch Panel

| | |
|------------------|----------------------|
| Touch Technology | Projected Capacitive |
| Touch Connector | USB |
| Surface Hardness | 6 |

Internal Connectors

| | | | |
|------------------------|-----|------------------------|----------|
| USB2.0 (In-board pins) | x 3 | Pin for Headphone | x1 |
| DB9 (TTL) | X3 | Pin for 12V power | x1 |
| Pin for Mic | x1 | Pin for Speaker(3W/4Ω) | x1 |
| Pin for Remote | x1 | Pin for GPIO | x1 |
| Pin for Button | x1 | Sim Card slot | optional |

External Connectors

| | | | |
|------------|----|--------------|----------|
| 12v DC IN | x1 | HDMI out | x1 |
| OTG USB | x1 | USB | X1 |
| RJ45 Ports | x1 | Tf card slot | x1 |
| Headphone | x1 | DB9 (TTL) | optional |

Included in the Delivery

| | | | |
|--------------------|----|--------------|----|
| Manual | x1 | Power Supply | x1 |
| Wall mount bracket | x1 | WiFi antenna | X1 |

Installation



HI-TOP TOUCH SCREEN

18.5" TOUCH SCREEN FOR ANDROID

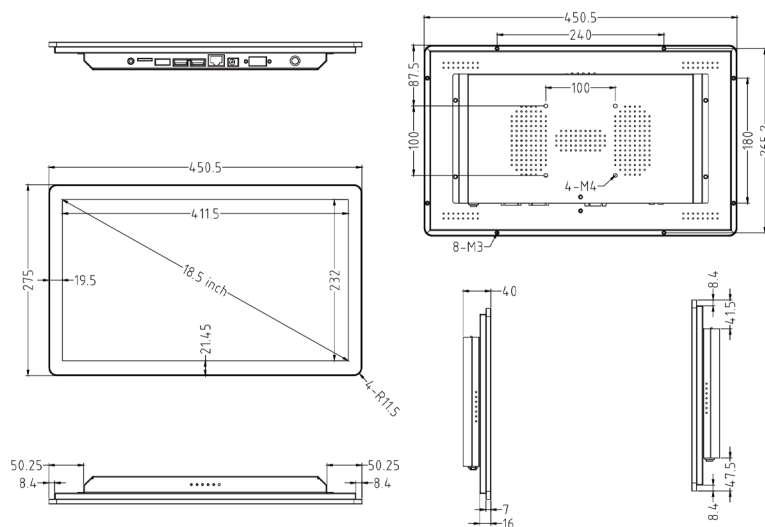


Multiple I/O
HDMI/USB/LAN/COM

Sheet metal Chassis
corrosion and oxidation resistance

Android OS
Operation System

Dimension



PC System

| | Rockchip RK3568 | Rockchip RK3288 | Rockchip RK3399 |
|---------------|----------------------------------|----------------------------------|----------------------------------|
| CPU | ARM G52 2EE | Mali-T764 | PowerVR G6110 |
| Graphic GPU | - | - | - |
| Audio | - | - | - |
| Memory | 2G (4G optional) | 2G (4G optional) | 2G (4G optional) |
| Storage | 16G/32G eMMC | 16G/32G eMMC | 16G/32G eMMC |
| Network | 10/100M RJ45, 802.11a/b/g/n Wifi | 10/100M RJ45, 802.11a/b/g/n Wifi | 10/100M RJ45, 802.11a/b/g/n Wifi |
| Pre-installed | Android 11 | Android 9 | Android 9 |

LCD Panel

| | |
|----------------------------|--------------------|
| IP Rating | IP65 Front |
| Screen diagonal | 18.5inch |
| Display active screen size | 411.5 (W)*232 (H) |
| Aspect ratio | 16:9 |
| Physical resolution | 1366*768/1920*1080 |
| Colours displayed | 16.7M |
| Brightness (cd/m2) | 250 |
| Contrast | 1000:1 |
| Visual Angle H/V (°) | 175/175 |
| Backlight Lifetime (hours) | LED / 30,000 |

Operation

| | |
|----------------------------|--------------|
| Operating Temperature (°C) | 0°C-50°C |
| Humidity Range (RH) | 0% - 90% |
| Net weight (kg) | 3.8kg |
| Gross weight (kg) | 5.95kg |
| Housing material | Sheet Metal |
| Housing (mm) L × W × H | 450.5*275*40 |
| Mounting | 100*100 |

Power

| | |
|--------------------------|--------------|
| Power Supply | 100-240V AC; |
| Working Power (V) | 12 |
| Power Consumption (W) | <36 |
| Stand-By Consumption (W) | <1 |

Touch Panel

| | |
|------------------|----------------------|
| Touch Technology | Projected Capacitive |
| Touch Connector | USB |
| Surface Hardness | 6 |

Internal Connectors

| | | | |
|------------------------|-----|------------------------|----------|
| USB2.0 (In-board pins) | x 3 | Pin for Headphone | x1 |
| DB9 (TTL) | X3 | Pin for 12V power | x1 |
| Pin for Mic | x1 | Pin for Speaker(3W/4Ω) | x1 |
| Pin for Remote | x1 | Pin for GPIO | x1 |
| Pin for Button | x1 | Sim Card slot | optional |

External Connectors

| | | | |
|------------|----|--------------|----------|
| 12v DC IN | x1 | HDMI out | x1 |
| OTG USB | x1 | USB | X1 + |
| RJ45 Ports | x1 | Tf card slot | x1 |
| Headphone | x1 | DB9 (TTL) | optional |

Included in the Delivery

| | | | |
|--------------------|----|--------------|----|
| Manual | x1 | Power Supply | x1 |
| Wall mount bracket | x1 | WiFi antenna | X1 |

Installation



HI-TOP TOUCH SCREEN

21.5" TOUCH SCREEN FOR ANDROID



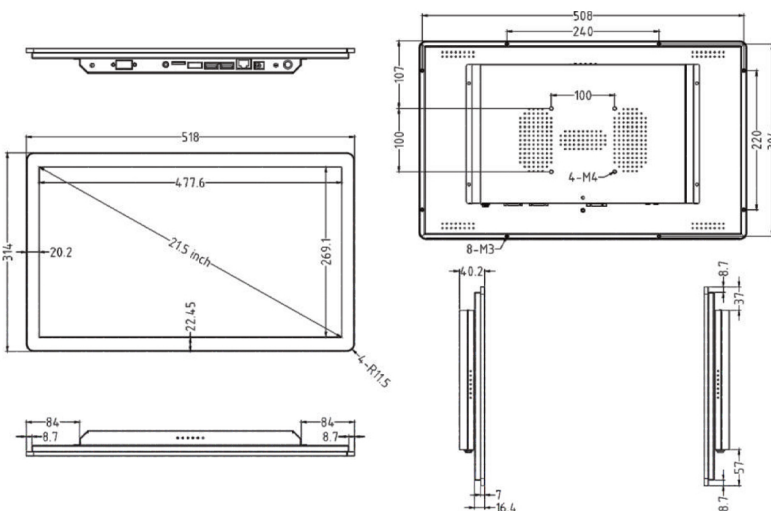
Multiple I/O
HDMI/USB/LAN/COM

Sheet metal Chassis
corrosion and oxidation resistance



Android OS
Operation System

Dimension



PC System

| | Rockchip RK3568 | Rockchip RK3288 | Rockchip RK3399 |
|---------------|----------------------------------|----------------------------------|----------------------------------|
| CPU | Rockchip RK3568 | Rockchip RK3288 | Rockchip RK3399 |
| Graphic GPU | ARM G52 2EE | Mali-T764 | PowerVR G6110 |
| Audio | - | - | - |
| Memory | 2G (4G optional) | 2G (4G optional) | 2G (4G optional) |
| Storage | 16G/32G eMMC | 16G/32G eMMC | 16G/32G eMMC |
| Network | 10/100M RJ45, 802.11a/b/g/n Wifi | 10/100M RJ45, 802.11a/b/g/n Wifi | 10/100M RJ45, 802.11a/b/g/n Wifi |
| Pre-installed | Android 11 | Android 9 | Android 9 |

LCD Panel

| | |
|----------------------------|---------------------|
| IP Rating | IP65 Front |
| Screen diagonal | 21.5inch |
| Display active screen size | 477.6 (W)*269.1 (H) |
| Aspect ratio | 16:9 |
| Physical resolution | 1920*1080 |
| Colours displayed | 16.7M |
| Brightness (cd/m2) | 250 |
| Contrast | 1000:1 |
| Visual Angle H/V (°) | 175/175 |
| Backlight Lifetime (hours) | LED / 30,000 |

Operation

| | |
|----------------------------|--------------|
| Operating Temperature (°C) | 0°C-50°C |
| Humidity Range (RH) | 0% - 90% |
| Net weight (kg) | 4.9kg |
| Gross weight (kg) | 7.1kg |
| Housing material | Sheet Metal |
| Housing (mm) L × W × H | 518*314*40.2 |
| Mounting | 100*100 |

Power

| | |
|--------------------------|-------------|
| Power Supply | 100-240VAC; |
| Working Power (V) | 12 |
| Power Consumption (W) | <36 |
| Stand-By Consumption (W) | <1 |

Touch Panel

| | |
|------------------|----------------------|
| Touch Technology | Projected Capacitive |
| Touch Connector | USB |
| Surface Hardness | 6 |

Internal Connectors

| | | | |
|------------------------|-----|------------------------|----------|
| USB2.0 (In-board pins) | x 3 | Pin for Headphone | x1 |
| DB9 (TTL) | X3 | Pin for 12V power | x1 |
| Pin for Mic | x1 | Pin for Speaker(3W/4Ω) | x1 |
| Pin for Remote | x1 | Pin for GPIO | x1 |
| Pin for Button | x1 | Sim Card slot | optional |

External Connectors

| | | | |
|------------|----|--------------|----------|
| 12v DC IN | x1 | HDMI out | x1 |
| OTG USB | x1 | USB | X1 + |
| RJ45 Ports | x1 | Tf card slot | x1 |
| Headphone | x1 | DB9 (TTL) | optional |

Included in the Delivery

| | | | |
|--------------------|----|--------------|----|
| Manual | x1 | Power Supply | x1 |
| Wall mount bracket | x1 | WIFI antenna | X1 |

Installation



HI-TOP TOUCH SCREEN

23.8" TOUCH SCREEN FOR ANDROID

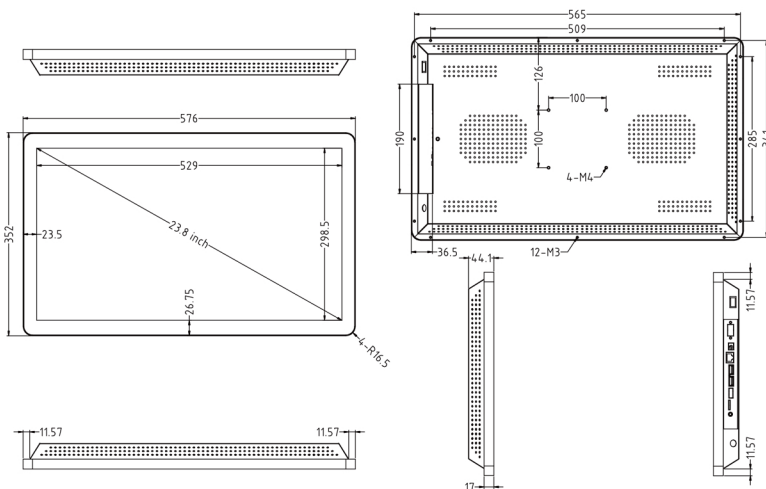


Multiple I/O
HDMI/USB/LAN/COM

Sheet metal Chassis
corrosion and oxidation resistance

Android OS
Operation System

Dimension



PC System

| | Rockchip RK3568 | Rockchip RK3288 | Rockchip RK3399 |
|---------------|----------------------------------|----------------------------------|----------------------------------|
| CPU | Rockchip RK3568 | Rockchip RK3288 | Rockchip RK3399 |
| Graphic GPU | ARM G52 2EE | Mali-T764 | PowerVR G6110 |
| Audio | - | - | - |
| Memory | 2G (4G optional) | 2G (4G optional) | 2G (4G optional) |
| Storage | 16G/32G eMMC | 16G/32G eMMC | 16G/32G eMMC |
| Network | 10/100M RJ45, 802.11a/b/g/n Wifi | 10/100M RJ45, 802.11a/b/g/n Wifi | 10/100M RJ45, 802.11a/b/g/n Wifi |
| Pre-installed | Android 11 | Android 9 | Android 9 |

LCD Panel

| | |
|----------------------------|------------------|
| IP Rating | IP65 Front |
| Screen diagonal | 23.8inch |
| Display active screen size | 529(W)*298.5 (H) |
| Aspect ratio | 16:9 |
| Physical resolution | 1920*1080 |
| Colours displayed | 16.7M |
| Brightness (cd/m2) | 250 |
| Contrast | 1000:1 |
| Visual Angle H/V (°) | 175/175 |
| Backlight Lifetime (hours) | LED / 30,000 |

Operation

| | |
|----------------------------|--------------|
| Operating Temperature (°C) | 0°C-50°C |
| Humidity Range (RH) | 0% - 90% |
| Net weight (kg) | 7.98kg |
| Gross weight (kg) | 10.2kg |
| Housing material | Sheet Metal |
| Housing (mm) L × W × H | 576*352*44.1 |
| Mounting | 100*100 |

Power

| | |
|--------------------------|--------------|
| Power Supply | 100-240V AC; |
| Working Power (V) | 12 |
| Power Consumption (W) | <36 |
| Stand-By Consumption (W) | <1 |

Touch Panel

| | |
|------------------|----------------------|
| Touch Technology | Projected Capacitive |
| Touch Connector | USB |
| Surface Hardness | 6 |

Internal Connectors

| | | | |
|------------------------|-----|------------------------|----------|
| USB2.0 (In-board pins) | x 3 | Pin for Headphone | x1 |
| DB9 (TTL) | X3 | Pin for 12V power | x1 |
| Pin for Mic | x1 | Pin for Speaker(3W/4Q) | x1 |
| Pin for Remote | x1 | Pin for GPIO | x1 |
| Pin for Button | x1 | Sim Card slot | optional |

External Connectors

| | | | |
|------------|----|--------------|----------|
| 12V DC IN | x1 | HDMI out | x1 |
| OTG USB | x1 | USB | X1 + |
| RJ45 Ports | x1 | Tf card slot | x1 |
| Headphone | x1 | DB9 (TTL) | optional |

Included in the Delivery

| | | | |
|--------------------|----|--------------|----|
| Manual | x1 | Power Supply | x1 |
| Wall mount bracket | x1 | WiFi antenna | X1 |

Installation



HI-TOP TOUCH SCREEN 27" TOUCH SCREEN FOR ANDROID

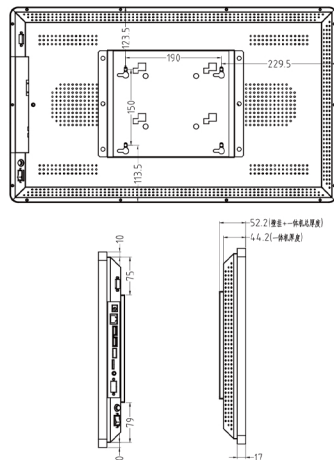
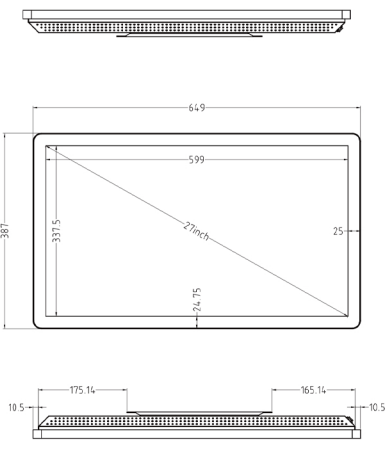


Multiple I/O
HDMI/USB/LAN/COM

Sheet metal Chassis
corrosion and oxidation resistance

Android OS
Operation System

Dimension



PC System

| | Rockchip RK3568 | Rockchip RK3288 | Rockchip RK3399 |
|---------------|----------------------------------|----------------------------------|----------------------------------|
| CPU | Rockchip RK3568 | Rockchip RK3288 | Rockchip RK3399 |
| Graphic GPU | ARM G52 2EE | Mali-T764 | PowerVR G6110 |
| Audio | - | - | - |
| Memory | 2G (4G optional) | 2G (4G optional) | 2G (4G optional) |
| Storage | 16G/32G eMMC | 16G/32G eMMC | 16G/32G eMMC |
| Network | 10/100M RJ45, 802.11a/b/g/n Wifi | 10/100M RJ45, 802.11a/b/g/n Wifi | 10/100M RJ45, 802.11a/b/g/n Wifi |
| Pre-installed | Android 11 | Android 9 | Android 9 |

LCD Panel

| | |
|----------------------------|------------------|
| IP Rating | IP65 Front |
| Screen diagonal | 27inch |
| Display active screen size | 599(W)*337.5 (H) |
| Aspect ratio | 16:9 |
| Physical resolution | 1920*1080 |
| Colours displayed | 16.7M |
| Brightness (cd/m2) | 250 |
| Contrast | 1000:1 |
| Visual Angle H/V (°) | 175/175 |
| Backlight Lifetime (hours) | LED / 30,000 |

Operation

| | |
|----------------------------|--------------|
| Operating Temperature (°C) | 0°C-50°C |
| Humidity Range (RH) | 0% - 90% |
| Net weight (kg) | 9.7kg |
| Gross weight (kg) | 15.6kg |
| Housing material | Sheet Metal |
| Housing (mm) L × W × H | 648*387*44.2 |
| Mounting | 100*100 |

Power

| | |
|--------------------------|--------------|
| Power Supply | 100-240V AC; |
| Working Power (V) | 12 |
| Power Consumption (W) | <45 |
| Stand-By Consumption (W) | <1 |

Touch Panel

| | |
|------------------|----------------------|
| Touch Technology | Projected Capacitive |
| Touch Connector | USB |
| Surface Hardness | 6 |

Internal Connectors

| | | | |
|------------------------|-----|------------------------|----------|
| USB2.0 (In-board pins) | x 3 | Pin for Headphone | x1 |
| DB9 (TTL) | X3 | Pin for 12V power | x1 |
| Pin for Mic | x1 | Pin for Speaker(3W/4Ω) | x1 |
| Pin for Remote | x1 | Pin for GPIO | x1 |
| Pin for Button | x1 | Sim Card slot | optional |

External Connectors

| | | | |
|------------|----|--------------|----------|
| 12V DC IN | x1 | HDMI out | x1 |
| OTG USB | x1 | USB | X1 + |
| RJ45 Ports | x1 | Tf card slot | x1 |
| Headphone | x1 | DB9 (TTL) | optional |

Included in the Delivery

| | | | |
|--------------------|----|--------------|----|
| Manual | x1 | Power Supply | x1 |
| Wall mount bracket | x1 | WiFi antenna | X1 |

Installation



HI-TOP TOUCH SCREEN

32" TOUCH SCREEN FOR ANDROID

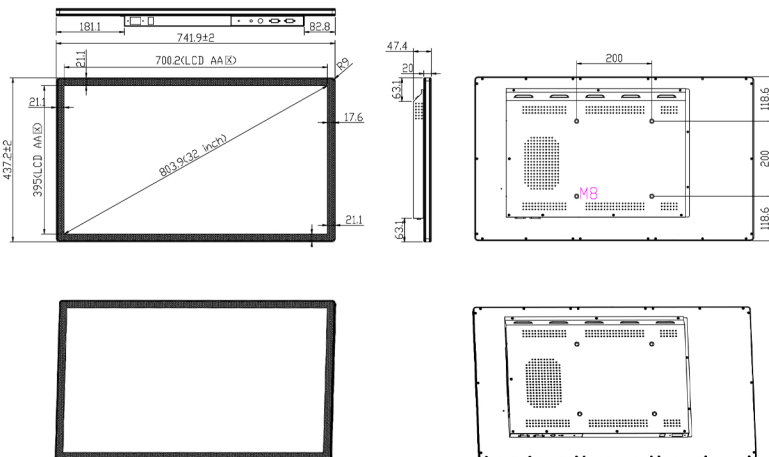


FHD display
pure and natural color

Industrial Touch Panel
Self-developed TP- ilitek&EETI

Android OS
Operation System

Dimension



Android

| | | |
|------------------|----------------------------------|----------------------------------|
| CPU | Rockchip RK3568 | MSD8386 |
| Graphic GPU | ARM G52 2EE | 4k display support |
| Audio | - | - |
| Memory | 2GB (4GB optional) | 2GB |
| Storage | 16G/32G eMMC | 16GB eMMC |
| Network | 10/100M RJ45, 802.11a/b/g/n Wifi | 10/100M RJ45, 802.11a/b/g/n Wifi |
| Pre-installed OS | Android 11 | Android 7.1 |

LCD Panel

| | |
|----------------------------|-------------------|
| IP Rating | IP65 Front |
| Screen diagonal | 32inch |
| Display active screen size | 700.2(W)*395(H)mm |
| Aspect ratio | 16:9 |
| Physical resolution | 1920*1080 |
| Colours displayed | 16.7M |
| Brightness (cd/m2) | 300-350 |
| Contrast | 1000:1 |
| Visual Angle H/V (°) | 175/175 |
| Backlight Lifetime (hours) | LED 30,000 |

Operation

| | |
|----------------------------|------------------|
| Operating Temperature (°C) | -10°C-60°C |
| Humidity Range (RH) | 0% - 90% |
| Net weight (kg) | 11.3kg |
| Gross weight (kg) | 15.7kg |
| Housing material | Sheet Metal |
| Housing (mm) L × W × H | 741.4*436.2*47.4 |
| Mounting | 200*200 |

Touch Panel

| | |
|------------------|--|
| Touch Technology | Projected Capacitive 10-Point Multitouch |
| Touch Connector | USB |
| Surface Hardness | 7 |

Power

| | |
|--------------------------|---------------------|
| Power Supply | Android Spec |
| Power Consumption (W) | 110-240V AC 50/60Hz |
| Stand-By Consumption (W) | <115 |
| | <1 |

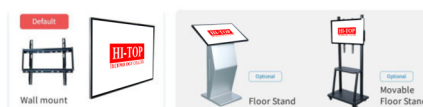
External Connectors For Android

| | | | |
|--------------|----|------------|----|
| Power Jack | x1 | HDMI Out | x1 |
| TF card slot | x1 | Audio Jack | x1 |
| RJ45 Ports | x1 | COM TTL | X1 |
| USB 2.0 | x2 | | |

Included in the Delivery

| | | | |
|--------------------------|----|--------------------|----|
| Manual&Remote Controller | x1 | Power Supply cable | x1 |
| Wall mount bracket | x1 | WIFI antenna | X1 |

Installation



HI-TOP TOUCH SCREEN

43" TOUCH SCREEN FOR ANDROID

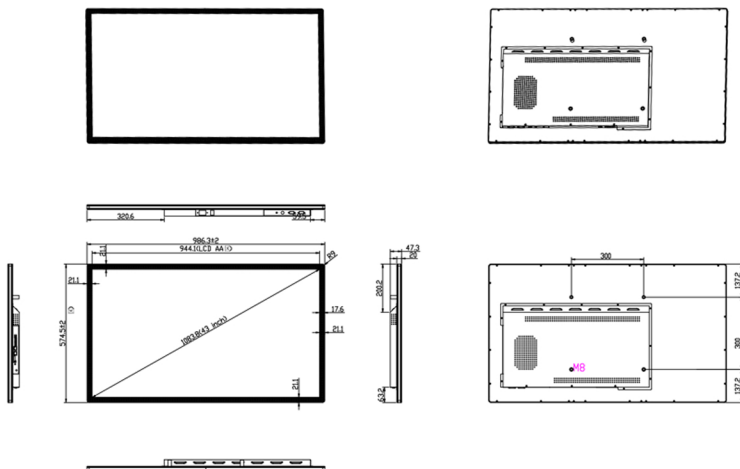


FHD display
pure and natural color

Industrial Touch Panel
Self-developed TP- ilitek&EETI

Android OS
Operation System

Dimension



Android

| | | |
|------------------|----------------------------------|----------------------------------|
| CPU | Rockchip RK3568 | MSD8386 |
| Graphic GPU | ARM G52 2EE | 4k display support |
| Audio | - | - |
| Memory | 2GB (4GB optional) | 2GB |
| Storage | 16G/32G eMMC | 16GB eMMC |
| Network | 10/100M RJ45, 802.11a/b/g/n Wifi | 10/100M RJ45, 802.11a/b/g/n Wifi |
| Pre-installed OS | Android 11 | Android 7.1 |

LCD Panel

| | |
|----------------------------|-------------------|
| IP Rating | IP65 Front |
| Screen diagonal | 43inch |
| Display active screen size | 944.1(W)*532.3(H) |
| Aspect ratio | 16:9 |
| Physical resolution | 1920*1080 |
| Colours displayed | 16.7M |
| Brightness (cd/m2) | 300-350 |
| Contrast | 1000:1 |
| Visual Angle H/V (°) | 175/175 |
| Backlight Lifetime (hours) | LED 30,000 |

Operation

| | |
|----------------------------|------------------|
| Operating Temperature (°C) | 0°C-50°C |
| Humidity Range (RH) | 10% - 90% |
| Net weight (kg) | 17.6kg |
| Gross weight (kg) | 22kg |
| Housing material | Sheet Metal |
| Housing (mm) L × W × H | 986.3*574.5*47.3 |
| Mounting | 300*300 |

Touch Panel

| | |
|------------------|--|
| Touch Technology | Projected Capacitive 10-Point Multitouch |
| Touch Connector | USB |
| Surface Hardness | 7 |

Power

| | |
|--------------------------|---------------------|
| Power Supply | Android Spec |
| Power Consumption (W) | 110-240V AC 50/60Hz |
| Stand-By Consumption (W) | <115 |
| | <1 |

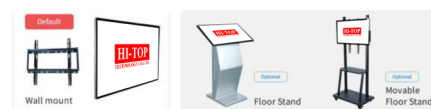
External Connectors For Android

| | | | |
|--------------|----|------------|----|
| Power Jack | x1 | HDMI Out | x1 |
| TF card slot | x1 | Audio Jack | x1 |
| RJ45 Ports | x1 | COM TTL | X1 |
| USB 2.0 | X2 | | |

Included in the Delivery

| | | | |
|--------------------------|----|--------------------|----|
| Manual&Remote Controller | x1 | Power Supply cable | x1 |
| Wall mount bracket | x1 | WIFI antenna | X1 |

Installation



HI-TOP TOUCH SCREEN



TOUCH SCREEN PC

HI-TOP TOUCH SCREEN 8" TOUCH SCREEN PC

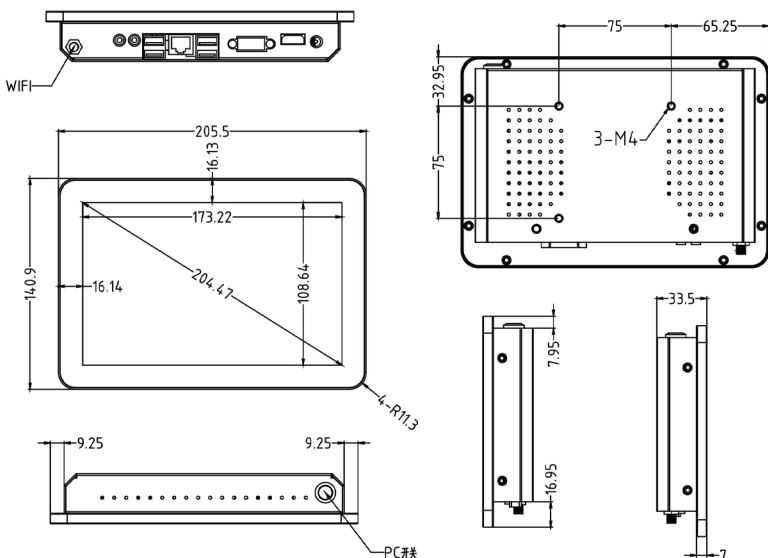


Multiple I/O
HDMI/USB/LAN/COM

Full Aluminum Chassis
corrosion and oxidation resistance

Windows OS
Operation System

Dimension



X86 system

| | | |
|------------------|---------------------------------|---------------------------------|
| CPU | Intel® Celeron® Processor N5095 | Intel core i5 optional |
| Graphic GPU | Intel® UHD Graphics | Intel® UHD Graphics |
| Audio | HD Audio | HD Audio |
| Memory | Netac-DDR4-2666MHz-SODIMM-8G | 8G Optional |
| Storage | Foresee mSATA-128GB | 32GB/64GB/256GB/512GB |
| Network | WIFI-NE238H-2.4G | WIFI 5G/BLE 5.1 optional |
| Pre-installed OS | Windows 10 Enterprise 2019 LTSC | Windows 10 Enterprise 2019 LTSC |

LCD Panel

| | |
|----------------------------|-----------------|
| IP Rating | IP65 Front |
| Screen diagonal | 8inch |
| Display active screen size | 173(W)*108.6(H) |
| Aspect ratio | 16:9 |
| Physical resolution | 1280*800 |
| Colours displayed | 16.7M |
| Brightness (cd/m2) | 250 |
| Contrast | 1000:1 |
| Visual Angle H/V (°) | 175/175 |
| Backlight Lifetime (hours) | LED / 30,000 |

Operation

| | |
|----------------------------|----------------|
| Operating Temperature (°C) | 0°C-50°C |
| Humidity Range (RH) | 0% - 90% |
| Net weight (kg) | 0.95kg |
| Gross weight (kg) | 1.95kg |
| Housing material | Sheet Metal |
| Housing (mm) L × W × H | 140.9*205.5*28 |
| Mounting | 75*75 |

Touch Panel

| | |
|------------------|--|
| Touch Technology | Projected Capacitive 10-Point Multitouch |
| Touch Connector | USB |
| Surface Hardness | 6H |

Power

| | |
|--------------------------|---------|
| Power Supply | PC Spec |
| Power Consumption (W) | DC 12v |
| Stand-By Consumption (W) | <36 |
| | <1 |

External Connectors For PC

| | | | |
|------------|----|--------------|----|
| Power Jack | x1 | HDMI Out | x1 |
| COM | x1 | USB 3.0 | X1 |
| RJ45 Ports | x1 | Audio I/O | x1 |
| USB 2.0 | X3 | COM optional | X2 |

Included in the Delivery

| | | | |
|--------------------------|----|--------------------|----|
| Manual&Remote Controller | x1 | Power Supply cable | x1 |
| Wall mount bracket | x1 | WIFI antenna | X1 |

Installation



HI-TOP TOUCH SCREEN 10.1" TOUCH SCREEN PC

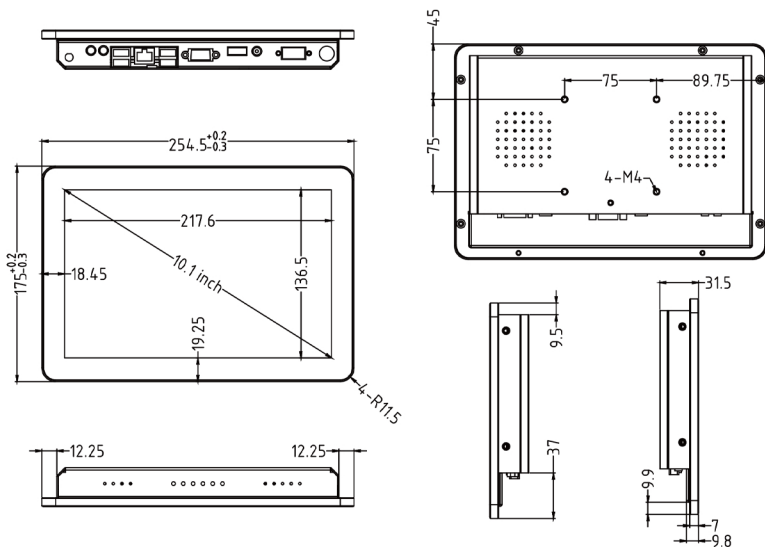


Multiple I/O
HDMI/USB/LAN/COM

Full Aluminum Chassis
corrosion and oxidation resistance

Windows OS
Operation System

Dimension



X86 system

| | | |
|------------------|---------------------------------|---------------------------------|
| CPU | Intel® Celeron® Processor N5095 | Intel core i5 optional |
| Graphic GPU | Intel® UHD Graphics | Intel® UHD Graphics |
| Audio | HD Audio | HD Audio |
| Memory | Netac-DDR4-2666MHz-SODIMM-8G | 8G Optional |
| Storage | Foresee mSATA-128GB | 32GB/64GB/256GB/512GB |
| Network | WiFi-NE238H-2.4G | Wifi 5G/BLE 5.1 optional |
| Pre-installed OS | Windows 10 Enterprise 2019 LTSC | Windows 10 Enterprise 2019 LTSC |

LCD Panel

| | |
|----------------------------|-----------------|
| IP Rating | IP65 Front |
| Screen diagonal | 10.1inch |
| Display active screen size | 218(W)*136.5(H) |
| Aspect ratio | 16:9 |
| Physical resolution | 1280*800 |
| Colours displayed | 16.7M |
| Brightness (cd/m2) | 250 |
| Contrast | 1000:1 |
| Visual Angle H/V (°) | 175/175 |
| Backlight Lifetime (hours) | LED / 30,000 |

Operation

| | |
|----------------------------|----------------|
| Operating Temperature (°C) | 0°C-50°C |
| Humidity Range (RH) | 0% - 90% |
| Net weight (kg) | 0.9kg |
| Gross weight (kg) | 2.1kg |
| Housing material | Aluminum |
| Housing (mm) L × W × H | 255*175.5*31.5 |
| Mounting | 75*75 |

Touch Panel

| | |
|------------------|--|
| Touch Technology | Projected Capacitive 10-Point Multitouch |
| Touch Connector | USB |
| Surface Hardness | 6H |

Power

| | |
|--------------------------|---------|
| Power Supply | PC Spec |
| Power Consumption (W) | DC 12v |
| Stand-By Consumption (W) | <36 |
| | <1 |

External Connectors For PC

| | | | |
|------------|----|--------------|----|
| Power Jack | x1 | HDMI Out | x1 |
| COM | x1 | USB 3.0 | X1 |
| RJ45 Ports | x1 | Audio I/O | x1 |
| USB 2.0 | X3 | COM optional | X2 |

Included in the Delivery

| | | | |
|--------------------------|----|--------------------|----|
| Manual&Remote Controller | x1 | Power Supply cable | x1 |
| Wall mount bracket | x1 | WiFi antenna | X1 |

Installation



HI-TOP TOUCH SCREEN 11.6" TOUCH SCREEN PC

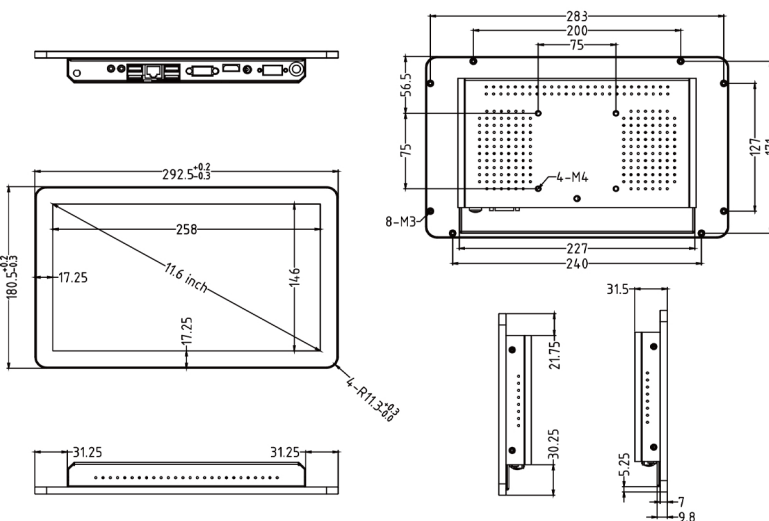


1920*1080 FHD display
pure and natural color

Full Aluminum Chassis
corrosion and oxidation resistance

Windows OS
Operation System

Dimension



PC System

| | | |
|------------------|-----------------------------------|---------------------------------|
| CPU | Intel Celeron® Jasperlake N5105 | Intel core i5 optional |
| Graphic GPU | Intel® UHD Graphics | Intel® UHD Graphics |
| Audio | HD Audio: ALC897+ Colay ; AD52080 | HD Audio |
| Memory | Netac-DDR4-2666MHz-SODIMM-4G | 8G Optional |
| Storage | Foresee mSATA-128GB | 32GB/64GB/256GB/512GB |
| Network | WIFI-NE238H-2.4G | Wifi 5G/BLE 5.1 optional |
| Pre-installed OS | Windows 10 Enterprise 2019 LTSC | Windows 10 Enterprise 2019 LTSC |

LCD Panel

| | |
|---------------------------------|-----------------|
| IP Rating | IP65 Front |
| Screen diagonal | 11.6inch |
| Display active screen size (mm) | 258(W)*146(H)mm |
| Aspect ratio | 16:9 |
| Physical resolution | 1920*1080 |
| Colours displayed | 16.7M |
| Brightness (cd/m2) | 250 |
| Contrast | 1000:1 |
| Visual Angle H/V (°) | 175/175 |
| Backlight Lifetime (hours) | LED / 30,000 |

Operation

| | |
|----------------------------|--------------|
| Operating Temperature (°C) | 0°C-50°C |
| Humidity Range (RH) | 0% - 90% |
| Net weight (kg) | 1.19kg |
| Gross weight (kg) | 2.34kg |
| Housing material | Aluminum |
| Housing (mm) L × W × H | 293*181*31.5 |
| Mounting | 75*75 |

Power

| | |
|--------------------------|--------------|
| Power Supply | 100-240V AC; |
| Working Power (V) | 12 |
| Power Consumption (W) | <36 |
| Stand-By Consumption (W) | <1 |

Touch Panel

| | |
|------------------|----------------------|
| Touch Technology | Projected Capacitive |
| Touch Connector | USB |
| Surface Hardness | 6 |

Internal Connectors

| | | | |
|-------------------------|-----|----------------------------|----|
| USB2.0 (In-board pins) | x 6 | RS232 (In-board pins) | x1 |
| DB9 (RS232/485Optional) | x1 | SATA HDD/SSD slot | x1 |
| MSATA SSD | x1 | Pin for Speaker(3W/4Ω) | x1 |
| DDR4 SO-DIMM(8GB) | x1 | M.2 2230 slot for Wifi&BLE | x1 |

External Connectors

| | | | |
|------------|----|---------|----|
| 12v DC IN | x1 | HDMI | x1 |
| COM RS232 | x1 | USB 3.0 | X1 |
| RJ45 Ports | x1 | F_Mic | x1 |
| F_OUT | x1 | USB 2.0 | X3 |

Included in the Delivery

| | | | |
|--------------------|----|--------------|----|
| Manual | x1 | Power Supply | x1 |
| Wall mount bracket | x1 | WIFI antenna | X1 |

Installation



HI-TOP TOUCH SCREEN 13.3" TOUCH SCREEN PC

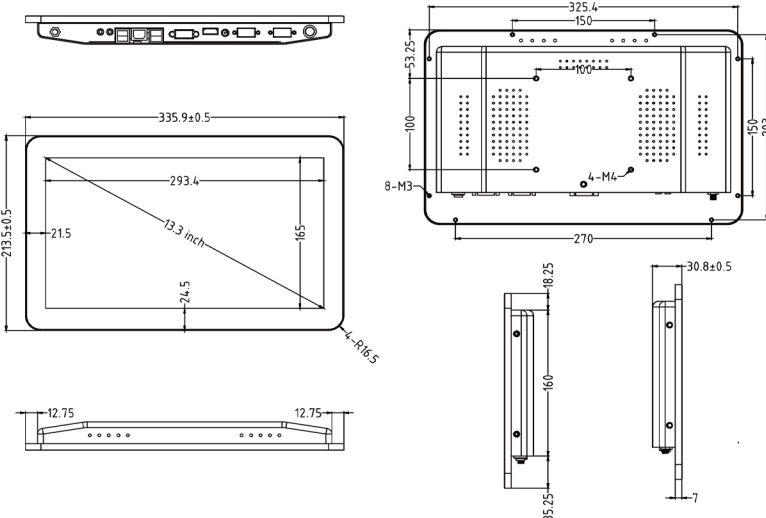


1920*1080 FHD display
pure and natural color

Full Aluminum Chassis
corrosion and oxidation resistance

Windows OS
Operation System

Dimension



PC System

| | | |
|------------------|-----------------------------------|---------------------------------|
| CPU | Intel Celeron® Jasperlake N5105 | Intel core i5 optional |
| Graphic GPU | Intel® UHD Graphics | Intel® UHD Graphics |
| Audio | HD Audio: ALC897+ Colay ; AD52080 | HD Audio |
| Memory | Netac-DDR4-2666MHz-SODIMM-4G | 8G Optional |
| Storage | Foresee mSATA-128GB | 32GB/64GB/256GB/512GB |
| Network | WIFI-NE238H-2.4G | WIFI 5G/BLE 5.1 optional |
| Pre-installed OS | Windows 10 Enterprise 2019 LTSC | Windows 10 Enterprise 2019 LTSC |

LCD Panel

| | |
|---------------------------------|-------------------|
| IP Rating | IP65 Front |
| Screen diagonal | 13.3inch |
| Display active screen size (mm) | 293.4 (W)*165 (H) |
| Aspect ratio | 16:9 |
| Physical resolution | 1920*1080 |
| Colours displayed | 16.7M |
| Brightness (cd/m2) | 250 |
| Contrast | 1000:1 |
| Visual Angle H/V (°) | 175/175 |
| Backlight Lifetime (hours) | LED / 30,000 |

Operation

| | |
|----------------------------|------------|
| Operating Temperature (°C) | 0°C-50°C |
| Humidity Range (RH) | 0% - 90% |
| Net weight (kg) | 1.2kg |
| Gross weight (kg) | 2.5kg |
| Housing material | Aluminum |
| Housing (mm) L × W × H | 336*214*31 |
| Mounting | 75*75 |

Power

| | |
|--------------------------|--------------|
| Power Supply | 100-240V AC; |
| Working Power (V) | 12 |
| Power Consumption (W) | <36 |
| Stand-By Consumption (W) | <1 |

Touch Panel

| | |
|------------------|----------------------|
| Touch Technology | Projected Capacitive |
| Touch Connector | USB |
| Surface Hardness | 6 |

Internal Connectors

| | | | |
|-------------------------|-----|----------------------------|----|
| USB2.0 (In-board pins) | x 6 | RS232 (In-board pins) | x1 |
| DB9 (RS232/485Optional) | x1 | SATA HDD/SSD slot | x1 |
| MSATA SSD | x1 | Pin for Speaker(3W/4Ω) | x1 |
| DDR4 SO-DIMM(8GB) | x1 | M.2 2230 slot for Wifi&BLE | x1 |

External Connectors

| | | | |
|------------|----|---------|----|
| 12v DC IN | x1 | HDMI | x1 |
| COM RS232 | x1 | USB 3.0 | X1 |
| RJ45 Ports | x1 | F_Mic | x1 |
| F_OUT | x1 | USB 2.0 | X3 |

Included in the Delivery

| | | | |
|--------------------|----|--------------|----|
| Manual | x1 | Power Supply | x1 |
| Wall mount bracket | x1 | WIFI antenna | X1 |

Installation



HI-TOP TOUCH SCREEN 14" TOUCH SCREEN PC

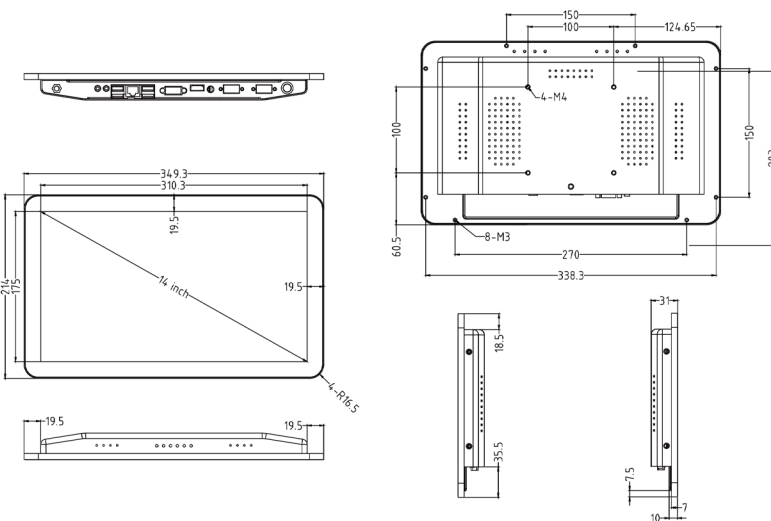


1920*1080 FHD display
pure and natural color

Full Aluminum Chassis
corrosion and oxidation resistance

Windows OS
Operation System

Dimension



PC System

| | | |
|------------------|----------------------------------|---------------------------------|
| CPU | Intel Celeron® Jasperlake N5105 | Intel core i5 optional |
| Graphic GPU | Intel® UHD Graphics | Intel® UHD Graphics |
| Audio | HD Audio: ALC897+ Colay; AD52080 | HD Audio |
| Memory | Netac-DDR4-2666MHz-SODIMM-4G | 8G Optional |
| Storage | Foresee mSATA-128GB | 32GB/64GB/256GB/512GB |
| Network | WiFi-NE238H-2.4G | Wifi 5G/BLE 5.1 optional |
| Pre-installed OS | Windows 10 Enterprise 2019 LTSC | Windows 10 Enterprise 2019 LTSC |

LCD Panel

| | |
|---------------------------------|-------------------|
| IP Rating | IP65 Front |
| Screen diagonal | 14inch |
| Display active screen size (mm) | 310.3 (W)*175 (H) |
| Aspect ratio | 16:9 |
| Physical resolution | 1920*1080 |
| Colours displayed | 16.7M |
| Brightness (cd/m2) | 250 |
| Contrast | 1000:1 |
| Visual Angle H/V (°) | 175/175 |
| Backlight Lifetime (hours) | LED / 30,000 |

Operation

| | |
|----------------------------|--------------|
| Operating Temperature (°C) | 0°C-50°C |
| Humidity Range (RH) | 0% - 90% |
| Net weight (kg) | 1.23kg |
| Gross weight (kg) | 2.34kg |
| Housing material | Aluminum |
| Housing (mm) L × W × H | 349.3*214*31 |
| Mounting | 100*100 |

Power

| | |
|--------------------------|--------------|
| Power Supply | 100-240V AC; |
| Working Power (V) | 12 |
| Power Consumption (W) | <36 |
| Stand-By Consumption (W) | <1 |

Touch Panel

| | |
|------------------|----------------------|
| Touch Technology | Projected Capacitive |
| Touch Connector | USB |
| Surface Hardness | 6 |

Internal Connectors

| | | | |
|-------------------------|----|----------------------------|----|
| USB2.0 (In-board pins) | x6 | RS232 (In-board pins) | x1 |
| DB9 (RS232/485Optional) | x1 | SATA HDD/SSD slot | x1 |
| MSATA SSD | x1 | Pin for Speaker(3W/4Ω) | x1 |
| DDR4 SO-DIMM(8GB) | x1 | M.2 2230 slot for Wifi&BLE | x1 |

External Connectors

| | | | |
|------------|----|---------|----|
| 12v DC IN | x1 | HDMI | x1 |
| COM RS232 | x1 | USB 3.0 | X1 |
| RJ45 Ports | x1 | F_Mic | x1 |
| F_OUT | x1 | USB 2.0 | X3 |

Included in the Delivery

| | | | |
|--------------------|----|--------------|----|
| Manual | x1 | Power Supply | x1 |
| Wall mount bracket | x1 | WIFI antenna | X1 |

Installation



HI-TOP TOUCH SCREEN 15.6" TOUCH SCREEN PC

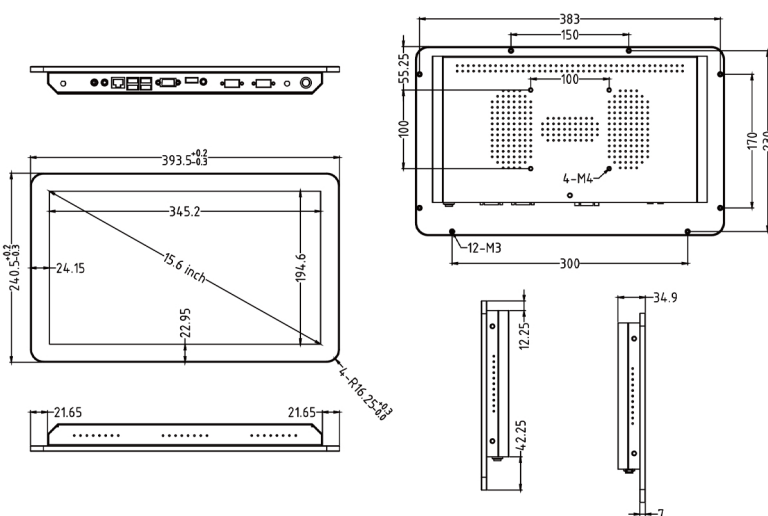


7mm Ultra Thin Frame
Unique and Sleek

Full Aluminum Chassis
corrosion and oxidation resistance

Windows OS
Operation System

Dimension



PC System

| | | |
|------------------|----------------------------------|---------------------------------|
| CPU | Intel Celeron® Jasperlake N5105 | Intel core i5 optional |
| Graphic GPU | Intel® UHD Graphics | Intel® UHD Graphics |
| Audio | HD Audio: ALC897+ Colay; AD52080 | HD Audio |
| Memory | Netac-DDR4-2666MHz-SODIMM-4G | 8G Optional |
| Storage | Foresee mSATA-128GB | 32GB/64GB/256GB/512GB |
| Network | WIFI-NE238H-2.4G | Wifi 5G/BLE 5.1 optional |
| Pre-installed OS | Windows 10 Enterprise 2019 LTSC | Windows 10 Enterprise 2019 LTSC |

LCD Panel

| | |
|---------------------------------|---------------------|
| IP Rating | IP65 Front |
| Screen diagonal | 15.6inch |
| Display active screen size (mm) | 345.2 (W)*194.6 (H) |
| Aspect ratio | 16:9 |
| Physical resolution | 1920*1080 |
| Colours displayed | 16.7M |
| Brightness (cd/m2) | 250 |
| Contrast | 1000:1 |
| Visual Angle H/V (°) | 175/175 |
| Backlight Lifetime (hours) | LED / 30,000 |

Operation

| | |
|----------------------------|--------------|
| Operating Temperature (°C) | 0°C-50°C |
| Humidity Range (RH) | 0% - 90% |
| Net weight (kg) | 1.65kg |
| Gross weight (kg) | 3.07kg |
| Housing material | Aluminum |
| Housing (mm) L × W × H | 394*241*34.9 |
| Mounting | 75*75 |

Power

| | |
|--------------------------|--------------|
| Power Supply | 100-240V AC; |
| Working Power (V) | 12 |
| Power Consumption (W) | <36 |
| Stand-By Consumption (W) | <1 |

Touch Panel

| | |
|------------------|----------------------|
| Touch Technology | Projected Capacitive |
| Touch Connector | USB |
| Surface Hardness | 6 |

Internal Connectors

| | | | |
|-------------------------|-----|----------------------------|----|
| USB2.0 (In-board pins) | x 6 | RS232 (In-board pins) | x1 |
| DB9 (RS232/485Optional) | x1 | SATA HDD/SSD slot | x1 |
| MSATA SSD | x1 | Pin for Speaker(3W/4Ω) | x1 |
| DDR4 SO-DIMM(8GB) | x1 | M.2 2230 slot for Wifi&BLE | x1 |

External Connectors

| | | | |
|------------|----|---------|----|
| 12v DC IN | x1 | HDMI | x1 |
| COM RS232 | x1 | USB 3.0 | X1 |
| RJ45 Ports | x1 | F_Mic | x1 |
| F_OUT | x1 | USB 2.0 | X3 |

Included in the Delivery

| | | | |
|--------------------|----|--------------|----|
| Manual | x1 | Power Supply | x1 |
| Wall mount bracket | x1 | WIFI antenna | X1 |

Installation



HI-TOP TOUCH SCREEN 17.3" TOUCH SCREEN PC

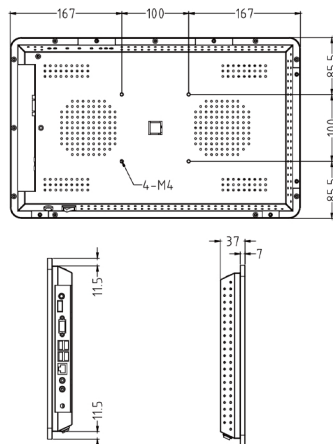
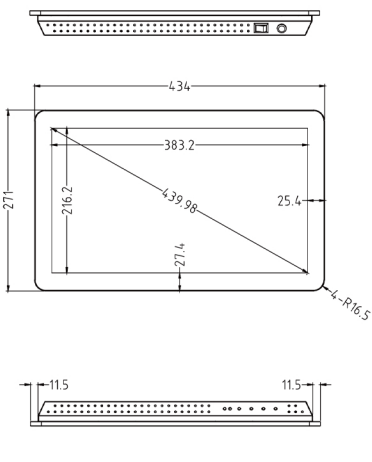


Multiple I/O
HDMI/USB/LAN/COM

Sheet metal Chassis
corrosion and oxidation resistance

Windows OS
Operation System

Dimension



PC System

| | | |
|------------------|----------------------------------|---------------------------------|
| CPU | Intel® Celeron® Processor J14125 | Intel core i3/i5/i7 optional |
| Graphic GPU | Intel® UHD Graphics | Intel® UHD Graphics |
| Audio | HD Audio | HD Audio |
| Memory | Netac-DDR4-2666MHz-SODIMM-8G | 8G Optional |
| Storage | Foresee mSATA-128GB | 32GB/64GB/256GB/512GB |
| Network | WiFi-NE238H-2.4G | Wifi 5G/BLE 5.1 optional |
| Pre-installed OS | Windows 10 Enterprise 2019 LTSC | Windows 10 Enterprise 2019 LTSC |

LCD Panel

| | |
|---------------------------------|---------------------|
| IP Rating | IP65 Front |
| Screen diagonal | 17.3inch |
| Display active screen size (mm) | 383.2 (W)*216.2 (H) |
| Aspect ratio | 16:9 |
| Physical resolution | 1920*1080 |
| Colours displayed | 16.7M |
| Brightness (cd/m2) | 250 |
| Contrast | 1000:1 |
| Visual Angle H/V (°) | 175/175 |
| Backlight Lifetime (hours) | LED / 30,000 |

Operation

| | |
|----------------------------|------------|
| Operating Temperature (°C) | 0°C-50°C |
| Humidity Range (RH) | 0% - 90% |
| Net weight (kg) | 3.06kg |
| Gross weight (kg) | 5.05kg |
| Housing material | Aluminum |
| Housing (mm) L × W × H | 434*271*37 |
| Mounting | 75*75 |

Power

| | |
|--------------------------|--------------|
| Power Supply | 100-240V AC; |
| Working Power (V) | 12 |
| Power Consumption (W) | <36 |
| Stand-By Consumption (W) | <1 |

Touch Panel

| | |
|------------------|----------------------|
| Touch Technology | Projected Capacitive |
| Touch Connector | USB |
| Surface Hardness | 6 |

Internal Connectors

| | | | |
|-------------------------|----|----------------------------|----|
| USB2.0 (In-board pins) | x6 | RS232 (In-board pins) | x1 |
| DB9 (RS232/485Optional) | x1 | SATA HDD/SSD slot | x1 |
| MSATA SSD | x1 | Pin for Speaker(3W/4Ω) | x1 |
| DDR4 SO-DIMM(8GB) | x1 | M.2 2230 slot for Wifi&BLE | x1 |

External Connectors

| | | | |
|------------|----|---------|----|
| 12v DC IN | x1 | HDMI | x1 |
| COM RS232 | x1 | USB 3.0 | X1 |
| RJ45 Ports | x1 | F_Mic | x1 |
| F_OUT | x1 | USB 2.0 | X3 |

Included in the Delivery

| | | | |
|--------------------|----|--------------|----|
| Manual | x1 | Power Supply | x1 |
| Wall mount bracket | x1 | WIFI antenna | X1 |

Installation



HI-TOP TOUCH SCREEN 18.5" TOUCH SCREEN PC

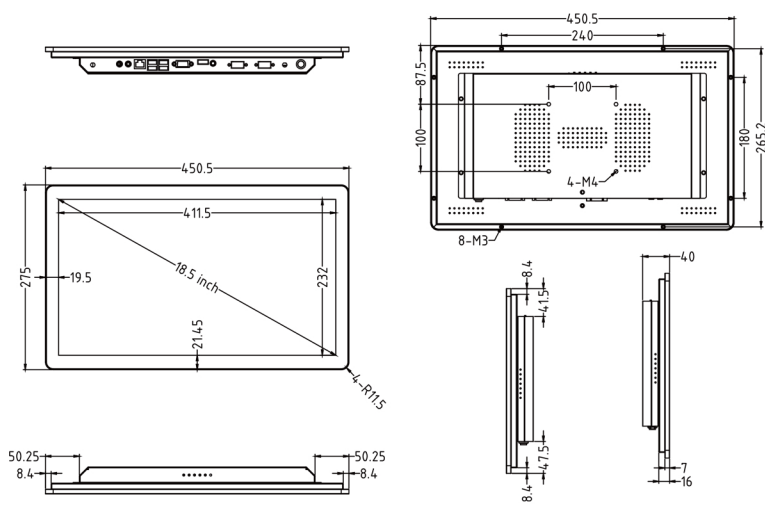


FHD display
pure and natural color

Sheet metal Chassis
corrosion and oxidation resistance

Windows OS
Operation System

Dimension



X86 system

| | | |
|------------------|---------------------------------|---------------------------------|
| CPU | Intel® Celeron® Processor J4125 | Intel core i3/i5/i7 optional |
| Graphic GPU | Intel® UHD Graphics | Intel® UHD Graphics |
| Audio | HD Audio | HD Audio |
| Memory | Netac-DDR4-2666MHz-SODIMM-8G | 8G Optional |
| Storage | Foresee mSATA-128GB | 32GB/64GB/256GB/512GB |
| Network | WiFi-NE238H-2.4G | Wifi 5G/BLE 5.1 optional |
| Pre-installed OS | Windows 10 Enterprise 2019 LTSC | Windows 10 Enterprise 2019 LTSC |

LCD Panel

| | |
|----------------------------|--------------------|
| IP Rating | IP65 Front |
| Screen diagonal | 18.5inch |
| Active screen size (mm) | 411.5 (W)*232 (H) |
| Aspect ratio | 16:9 |
| Physical resolution | 1366*768/1920*1080 |
| Colours displayed | 16.7M |
| Brightness (cd/m2) | 250 |
| Contrast | 1000:1 |
| Visual Angle H/V (°) | 175/175 |
| Backlight Lifetime (hours) | LED / 30,000 |

Operation

| | |
|----------------------------|--------------|
| Operating Temperature (°C) | 0°C-50°C |
| Humidity Range (RH) | 0% - 90% |
| Net weight (kg) | 3.8kg |
| Gross weight (kg) | 5.95kg |
| Housing material | Sheet Metal |
| Housing (mm) L × W × H | 450.5*275*40 |
| Mounting | 100*100 |

Touch Panel

| | |
|------------------|--|
| Touch Technology | Projected Capacitive 10-Point Multitouch |
| Touch Connector | USB |
| Surface Hardness | 7 |

Power

| | |
|--------------------------|---------|
| Power Supply | PC Spec |
| Power Consumption (W) | DC 12v |
| Stand-By Consumption (W) | <60W |
| | <1 |

External Connectors For PC

| | | | |
|------------|----|--------------|----|
| Power Jack | x1 | HDMI Out | x1 |
| VGA | x1 | USB 3.0 | X1 |
| RJ45 Ports | x1 | Audio I/O | x1 |
| USB 2.0 | X3 | COM optional | X2 |

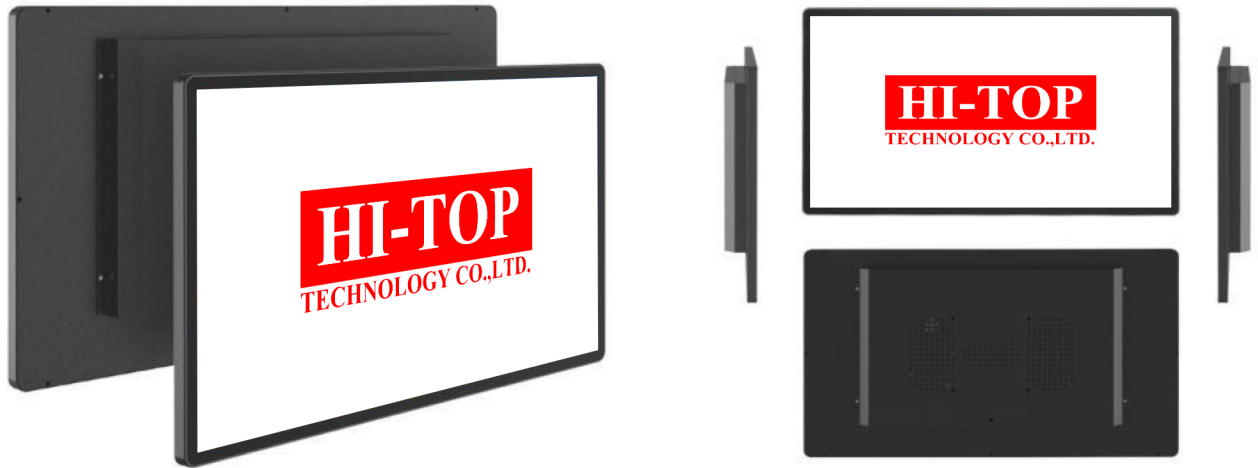
Included in the Delivery

| | | | |
|--------------------------|----|--------------------|----|
| Manual&Remote Controller | x1 | Power Supply cable | x1 |
| Wall mount bracket | x1 | WiFi antenna | X1 |

Installation



HI-TOP TOUCH SCREEN 21.5" TOUCH SCREEN PC

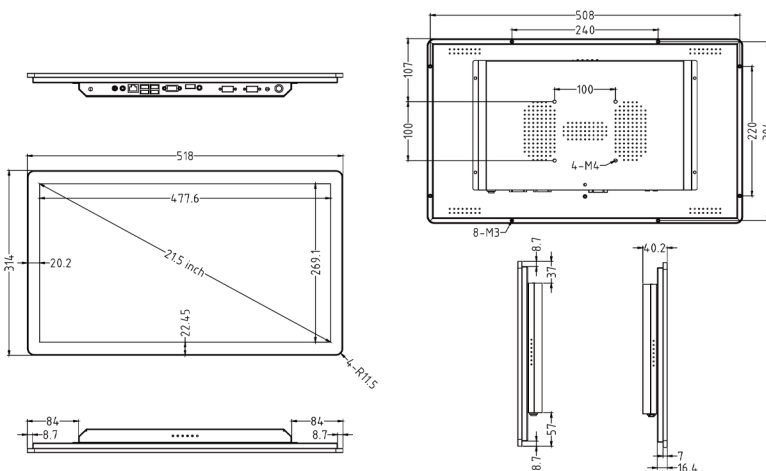


FHD display
pure and natural color

Industrial Touch Panel
Self-developed TP-ilitek & EETI

Windows OS
Operation System

Dimension



X86 system

| | | |
|------------------|---------------------------------|---------------------------------|
| CPU | Intel® Celeron® Processor J4125 | Intel core i3/i5/i7 optional |
| Graphic GPU | Intel® UHD Graphics | Intel® UHD Graphics |
| Audio | HD Audio | HD Audio |
| Memory | Netac-DDR4-2666MHz-SODIMM-8G | 8G Optional |
| Storage | Foresee mSATA-128GB | 32GB/64GB/256GB/512GB |
| Network | WiFi-NE238H-2.4G | Wifi 5G/BLE 5.1 optional |
| Pre-installed OS | Windows 10 Enterprise 2019 LTSC | Windows 10 Enterprise 2019 LTSC |

LCD Panel

| | |
|----------------------------|-------------------|
| IP Rating | IP65 Front |
| Screen diagonal | 21.5inch |
| Active screen size (mm) | 477.6(W)*269.1(H) |
| Aspect ratio | 16:9 |
| Physical resolution | 1920*1080 |
| Colours displayed | 16.7M |
| Brightness (cd/m2) | 300 |
| Contrast | 1000:1 |
| Visual Angle H/V (°) | 175/175 |
| Backlight Lifetime (hours) | LED 30,000 |

Operation

| | |
|----------------------------|----------------|
| Operating Temperature (°C) | -10°C-60°C |
| Humidity Range (RH) | 0% - 90% |
| Net weight (kg) | 4.86kg |
| Gross weight (kg) | 6.80kg |
| Housing material | Sheet Metal |
| Housing (mm) L × W × H | 504*295.5*39.9 |
| Mounting | 100*100 |

Touch Panel

| | |
|------------------|--|
| Touch Technology | Projected Capacitive 10-Point Multitouch |
| Touch Connector | USB |
| Surface Hardness | 7 |

Power

| | |
|--------------------------|---------|
| Power Supply | PC Spec |
| Power Supply | DC 12v |
| Power Consumption (W) | <60 |
| Stand-By Consumption (W) | <1 |

External Connectors For PC

| | | | |
|------------|----|--------------|----|
| Power Jack | x1 | HDMI Out | x1 |
| VGA | x1 | USB 3.0 | X1 |
| RJ45 Ports | x1 | Audio I/O | x1 |
| USB 2.0 | X3 | COM optional | X2 |

Included in the Delivery

| | | | |
|--------------------------|----|--------------------|----|
| Manual&Remote Controller | x1 | Power Supply cable | x1 |
| Wall mount bracket | x1 | WIFI antenna | X1 |

Installation



HI-TOP TOUCH SCREEN 23.8" TOUCH SCREEN PC

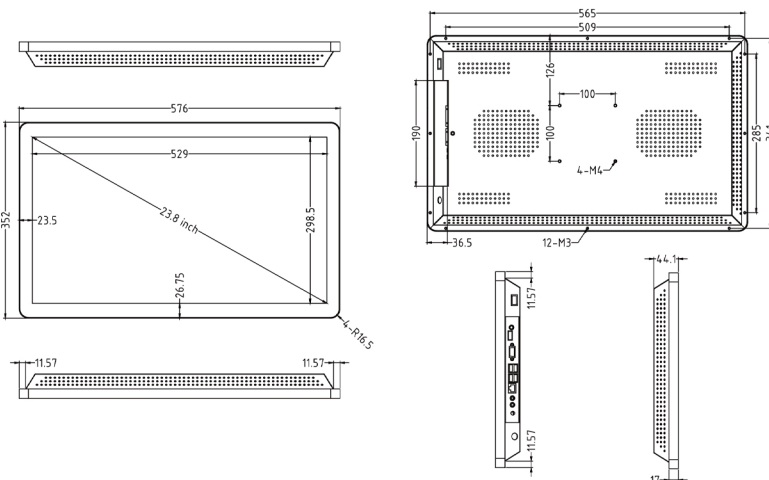


FHD display
pure and natural color

Industrial Touch Panel
Self-developed TP-ilitex & EETI

Windows OS
Operation System

Dimension



X86 system

| | | |
|------------------|---------------------------------|---------------------------------|
| CPU | Intel® Celeron® Processor J4125 | Intel core i3/i5/i7 optional |
| Graphic GPU | Intel® UHD Graphics | Intel® UHD Graphics |
| Audio | HD Audio | HD Audio |
| Memory | Netac-DDR4-2666MHz-SODIMM-8G | 8G Optional |
| Storage | Foresee mSATA-128GB | 32GB/64GB/256GB/512GB |
| Network | WiFi-NE238H-2.4G | WiFi 5G/BLE 5.1 optional |
| Pre-installed OS | Windows 10 Enterprise 2019 LTSC | Windows 10 Enterprise 2019 LTSC |

LCD Panel

| | |
|----------------------------|------------------|
| IP Rating | IP65 Front |
| Screen diagonal | 23.8inch |
| Display active screen size | 529(W)*298.5 (H) |
| Aspect ratio | 16:9 |
| Physical resolution | 1920*1080 |
| Colours displayed | 16.7M |
| Brightness (cd/m2) | 250 |
| Contrast | 1000:1 |
| Visual Angle H/V (°) | 175/175 |
| Backlight Lifetime (hours) | LED / 30,000 |

Operation

| | |
|----------------------------|--------------|
| Operating Temperature (°C) | 0°C - 50°C |
| Humidity Range (RH) | 0% - 90% |
| Net weight (kg) | 7.98kg |
| Gross weight (kg) | 10.2kg |
| Housing material | Sheet Metal |
| Housing (mm) L × W × H | 576*352*44.1 |
| Mounting | 100*100 |

Touch Panel

| | |
|------------------|--|
| Touch Technology | Projected Capacitive 10-Point Multitouch |
| Touch Connector | USB |
| Surface Hardness | 7 |

Power

| | |
|--------------------------|---------|
| Power Supply | PC Spec |
| Power Consumption (W) | DC 12v |
| Stand-By Consumption (W) | <60 |
| | <1 |

External Connectors For PC

| | | | |
|------------|----|--------------|----|
| Power Jack | x1 | HDMI Out | x1 |
| VGA | x1 | USB 3.0 | X1 |
| RJ45 Ports | x1 | Audio I/O | x1 |
| USB 2.0 | X3 | COM optional | X2 |

Included in the Delivery

| | | | |
|--------------------------|----|--------------------|----|
| Manual&Remote Controller | x1 | Power Supply cable | x1 |
| Wall mount bracket | x1 | WiFi antenna | X1 |

Installation



HI-TOP TOUCH SCREEN 27" TOUCH SCREEN PC

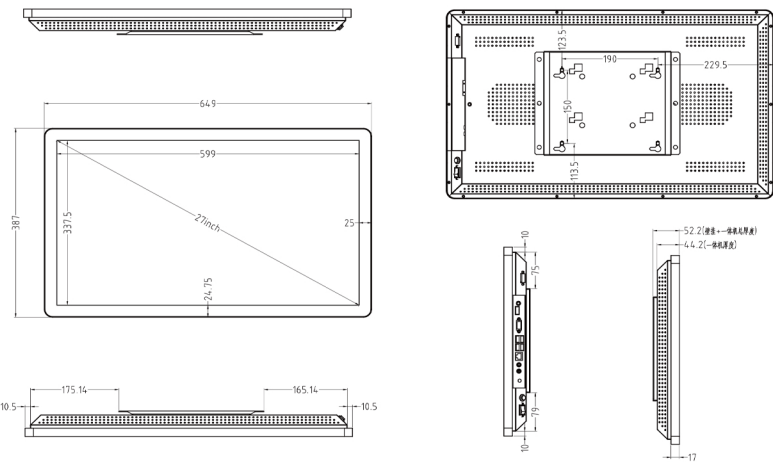


Multiple I/O
HDMI/USB/LAN/COM

Sheet metal Chassis
corrosion and oxidation resistance

Windows OS
Operation System

Dimension



X86 system

| | | |
|------------------|---------------------------------|---------------------------------|
| CPU | Intel® Celeron® Processor J4125 | Intel core i3/i5/i7 optional |
| Graphic GPU | Intel® UHD Graphics | Intel® UHD Graphics |
| Audio | HD Audio | HD Audio |
| Memory | Netac-DDR4-2666MHz-SODIMM-8G | 8G Optional |
| Storage | Foresee mSATA-128GB | 32GB/64GB/256GB/512GB |
| Network | WiFi-NE238H-2.4G | Wifi 5G/BLE 5.1 optional |
| Pre-installed OS | Windows 10 Enterprise 2019 LTSC | Windows 10 Enterprise 2019 LTSC |

LCD Panel

| | |
|----------------------------|------------------|
| IP Rating | IP65 Front |
| Screen diagonal | 27inch |
| Display active screen size | 599(W)*337.5 (H) |
| Aspect ratio | 16:9 |
| Physical resolution | 1920*1080 |
| Colours displayed | 16.7M |
| Brightness (cd/m2) | 250 |
| Contrast | 1000:1 |
| Visual Angle H/V (°) | 175/175 |
| Backlight Lifetime (hours) | LED / 30,000 |

Operation

| | |
|----------------------------|--------------|
| Operating Temperature (°C) | 0°C-50°C |
| Humidity Range (RH) | 0% - 90% |
| Net weight (kg) | 9.7kg |
| Gross weight (kg) | 15.6kg |
| Housing material | Sheet Metal |
| Housing (mm) L × W × H | 648*387*44.2 |
| Mounting | 100*100 |

Touch Panel

| | |
|------------------|--|
| Touch Technology | Projected Capacitive 10-Point Multitouch |
| Touch Connector | USB |
| Surface Hardness | 7 |

Power

| | |
|--------------------------|---------|
| Power Supply | PC Spec |
| Power Consumption (W) | DC 12v |
| Stand-By Consumption (W) | <75w |
| | <1 |

External Connectors For PC

| | | | |
|------------|----|--------------|----|
| Power Jack | x1 | HDMI Out | x1 |
| VGA | x1 | USB 3.0 | X1 |
| RJ45 Ports | x1 | Audio I/O | x1 |
| USB 2.0 | X3 | COM optional | X2 |

Included in the Delivery

| | | | |
|--------------------------|----|--------------------|----|
| Manual&Remote Controller | x1 | Power Supply cable | x1 |
| Wall mount bracket | x1 | WIFI antenna | X1 |

Installation



HI-TOP TOUCH SCREEN 32" TOUCH SCREEN PC

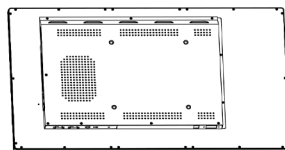
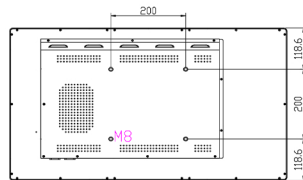
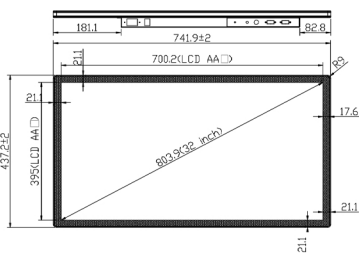


FHD display
pure and naturalcolor

Industrial Touch Panel
Self-developed TP-ilitek &EETI

Windows OS
Operation System

Dimension



X86 system

| | | |
|------------------|---------------------------------|-----------------------------------|
| CPU | OPS - Celeron® J1900 | OPS- Intel core i3/i5/i7 optional |
| Graphic GPU | Intel® UHD Graphics | Intel® UHD Graphics |
| Audio | HD Audio | HD Audio |
| Memory | Netac-DDR4-2666MHz-SODIMM-8G | 8G Optional |
| Storage | Foresee mSATA-128GB | 32GB/64GB/256GB/512GB |
| Network | WiFi-NE238H-2.4G | Wifi 5G/BLE 5.1 optional |
| Pre-installed OS | Windows 10 Enterprise 2019 LTSC | Windows 10 Enterprise 2019 LTSC |

LCD Panel

| | |
|----------------------------|-------------------|
| IP Rating | IP65 Front |
| Screen diagonal | 32inch |
| Display active screen size | 700.2(W)*395(H)mm |
| Aspect ratio | 16:9 |
| Physical resolution | 1920*1080 |
| Colours displayed | 16.7M |
| Brightness (cd/m2) | 300-350 |
| Contrast | 1000:1 |
| Visual Angle H/V (°) | 175/175 |
| Backlight Lifetime (hours) | LED 30,000 |

Operation

| | |
|----------------------------|------------------|
| Operating Temperature (°C) | -10°C-60°C |
| Humidity Range (RH) | 0% - 90% |
| Net weight (kg) | 11.3kg |
| Gross weight (kg) | 15.7kg |
| Housing material | Sheet Metal |
| Housing (mm) L × W × H | 741.4*436.2*47.4 |
| Mounting | 200*200 |

Touch Panel

| | |
|------------------|--|
| Touch Technology | Projected Capacitive 10-Point Multitouch |
| Touch Connector | USB |
| Surface Hardness | 7 |

Power

| | |
|--------------------------|---------|
| Power Supply | PC Spec |
| DC 12v | DC 12v |
| Power Consumption (W) | <95W |
| Stand-By Consumption (W) | <1 |

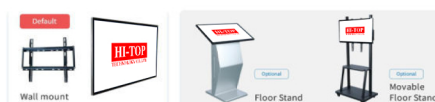
External Connectors For PC:

| | | | |
|------------|----|--------------|----|
| Power Jack | x1 | HDMI Out | x1 |
| VGA | x1 | USB 3.0 | X1 |
| RJ45 Ports | x1 | Audio I/O | x1 |
| USB 2.0 | X3 | COM optional | X2 |

Included in the Delivery

| | | | |
|--------------------------|----|--------------------|----|
| Manual&Remote Controller | x1 | Power Supply cable | x1 |
| Wall mount bracket | x1 | WiFi antenna | X1 |

Installation



HI-TOP TOUCH SCREEN 43" TOUCH SCREEN PC



FHD/4k display

pure and naturalcolor

OPS computer integrated

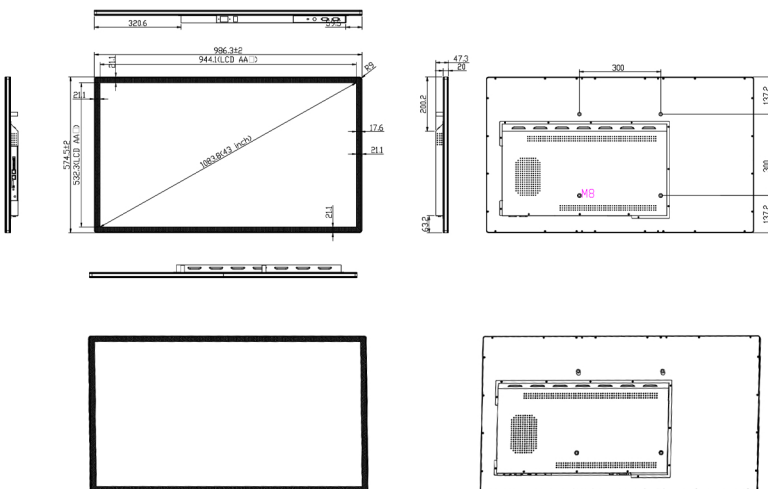
Easy maintenance and upgrades



Windows OS

Operation System

Dimension



X86 system

| | | |
|------------------|---------------------------------|------------------------------------|
| CPU | OPS - Celeron® J1900 | OPS - Intel core i3/i5/i7 optional |
| Graphic GPU | Intel® UHD Graphics | Intel® UHD Graphics |
| Audio | HD Audio | HD Audio |
| Memory | Netac-DDR4-2666MHz-SODIMM-8G | 8G Optional |
| Storage | Foresee mSATA-128GB | 32GB/64GB/256GB/512GB |
| Network | WiFi-NE238H-2.4G | Wifi 5G/BLE 5.1 optional |
| Pre-installed OS | Windows 10 Enterprise 2019 LTSC | Windows 10 Enterprise 2019 LTSC |

LCD Panel

| | |
|----------------------------|-------------------|
| IP Rating | IP65 Front |
| Screen diagonal | 43inch |
| Display active screen size | 944.1(W)*532.3(H) |
| Aspect ratio | 16:9 |
| Physical resolution | 1920*1080 |
| Colours displayed | 16.7M |
| Brightness (cd/m2) | 300-350 |
| Contrast | 1000:1 |
| Visual Angle H/V (°) | 175/175 |
| Backlight Lifetime (hours) | LED 30,000 |

Operation

| | |
|----------------------------|------------------|
| Operating Temperature (°C) | 0°C-50°C |
| Humidity Range (RH) | 10% - 90% |
| Net weight (kg) | 17.6kg |
| Gross weight (kg) | 22kg |
| Housing material | Sheet Metal |
| Housing (mm) L × W × H | 986.3*574.5*47.3 |
| Mounting | 300*300 |

Touch Panel

| | |
|------------------|--|
| Touch Technology | Projected Capacitive 10-Point Multitouch |
| Touch Connector | USB |
| Surface Hardness | 7 |

Power

| | |
|--------------------------|---------|
| Power Supply | PC Spec |
| DC 12v | |
| Power Consumption (W) | <115W |
| Stand-By Consumption (W) | <1 |

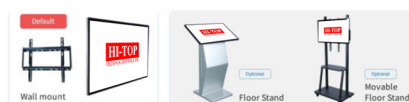
External Connectors For PC

| | | | |
|------------|----|--------------|----|
| Power Jack | x1 | HDMI Out | x1 |
| VGA | x1 | USB 3.0 | x1 |
| RJ45 Ports | x1 | Audio I/O | x1 |
| USB 2.0 | x3 | COM optional | x2 |

Included in the Delivery

| | | | |
|--------------------------|----|--------------------|----|
| Manual&Remote Controller | x1 | Power Supply cable | x1 |
| Wall mount bracket | x1 | WiFi antenna | x1 |

Installation



HI-TOP TOUCH SCREEN



TOUCH MONITOR

HI-TOP TOUCH SCREEN 7" TOUCH MONITOR



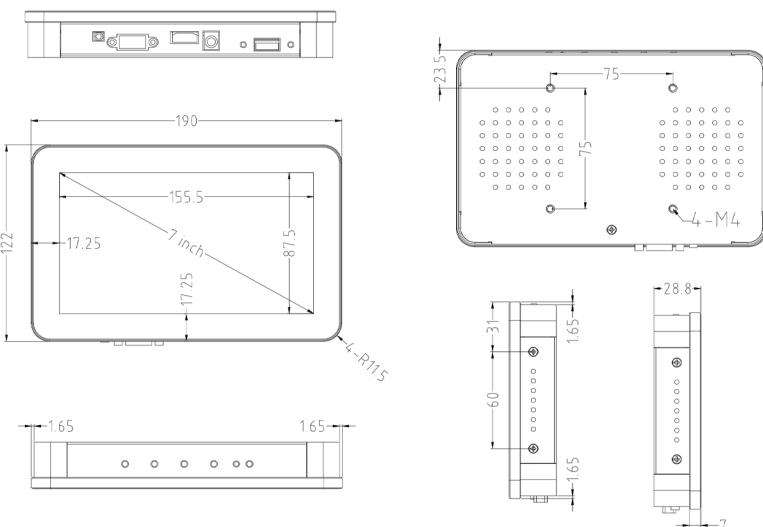
Versatile Installation

Wall mount / Embedded / VESA

Full Metal Chassis

corrosion and oxidation resistance

Dimension



LCD Panel

| | |
|----------------------------|--------------|
| IP Rating | IP65 Front |
| Screen diagonal | 7inch |
| Display active screen size | 155.5*87.5mm |
| Aspect ratio | 16:9 |
| Physical resolution | 1024*600 |
| Colours displayed | 16.7M |
| Brightness (cd/m2) | 250 |
| Contrast | 1000:1 |
| Visual Angle H/V (°) | 175/175 |
| Backlight Lifetime (hours) | LED / 30,000 |

Touch Panel

| | |
|------------------|--|
| Touch Technology | Projected Capacitive 10-Point Multitouch |
| Touch Connector | USB |
| Surface Hardness | 7h |

External Connectors

| | | | |
|-----------|----|---------|----|
| 12v DC IN | x1 | HDMI IN | x1 |
| USB | x1 | VGA | X1 |
| Audio I/O | x1 | | |

Power

| | |
|--------------------------|--------------|
| Power Supply | 100-240V AC; |
| Working Power (V) | 12 |
| Power Consumption (W) | <20 |
| Stand-By Consumption (W) | <1 |

Operation

| | |
|----------------------------|--------------|
| Operating Temperature (°C) | 0°C-50°C |
| Humidity Range (RH) | 0% - 90% |
| Net weight (kg) | 0.74kg |
| Gross weight (kg) | 1.75kg |
| Housing material | Sheet Metal |
| Housing (mm) L × W × H | 190*122*28.8 |
| Mounting | 75*75 |

Included in the Delivery

| | | | |
|--------------------|----|----------------------|----|
| Manual | x1 | Power Supply | x1 |
| Wall mount bracket | x1 | USB CABLE+HDMI CABLE | X1 |

Installation



HI-TOP TOUCH SCREEN 8" TOUCH MONITOR



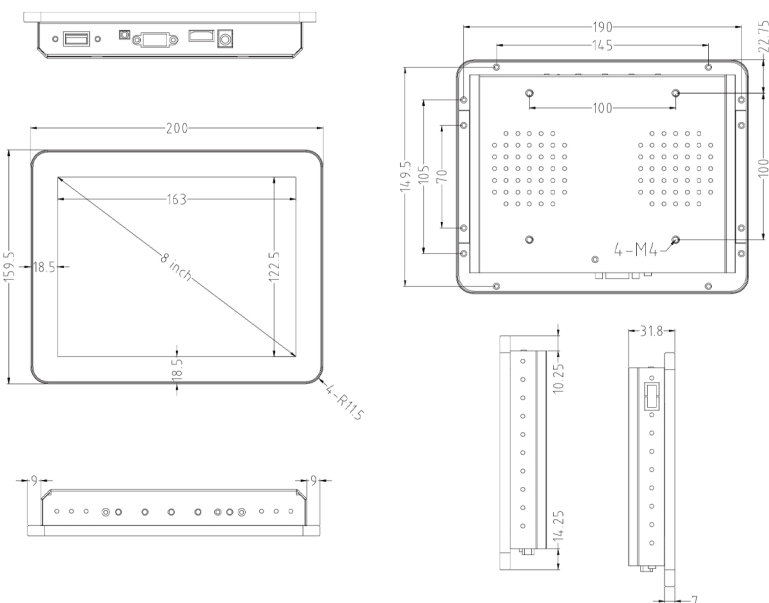
Versatile Installation

Wall mount / Embedded/VESA

Full Metal Chassis

corrosion and oxidation resistance

Dimension



LCD Panel

| | |
|----------------------------|--------------|
| IP Rating | IP65 Front |
| Screen diagonal | 8inch |
| Display active screen size | 163*122.5mm |
| Aspect ratio | 4:3 |
| Physical resolution | 1024*768 |
| Colours displayed | 16.7M 52% |
| Brightness (cd/m2) | 250 |
| Contrast | 800:1 |
| Visual Angle H/V (°) | 175/175 |
| Backlight Lifetime (hours) | LED / 30,000 |

Touch Panel

| | |
|------------------|--|
| Touch Technology | Projected Capacitive 10-Point Multitouch |
| Touch Connector | USB |
| Surface Hardness | 7h |

External Connectors

| | | | |
|-----------|----|---------|----|
| 12v DC IN | x1 | HDMI IN | x1 |
| USB | x1 | VGA | X1 |
| Audio I/O | x1 | | |

Power

| | |
|--------------------------|--------------|
| Power Supply | 100-240V AC; |
| Working Power (V) | 12 |
| Power Consumption (W) | <20 |
| Stand-By Consumption (W) | <1 |

Operation

| | |
|----------------------------|----------------|
| Operating Temperature (°C) | 0°C-50°C |
| Humidity Range (RH) | 0% - 90% |
| Net weight (kg) | 0.95kg |
| Gross weight (kg) | 1.95kg |
| Housing material | Sheet Metal |
| Housing (mm) L × W × H | 200*159.5*31.8 |
| Mounting | 100*100 |

Included in the Delivery

| | | | |
|--------------------|----|----------------------|----|
| Manual | x1 | Power Supply | x1 |
| Wall mount bracket | x1 | USB CABLE+HDMI CABLE | X1 |

Installation



HI-TOP TOUCH SCREEN 10.1" TOUCH MONITOR



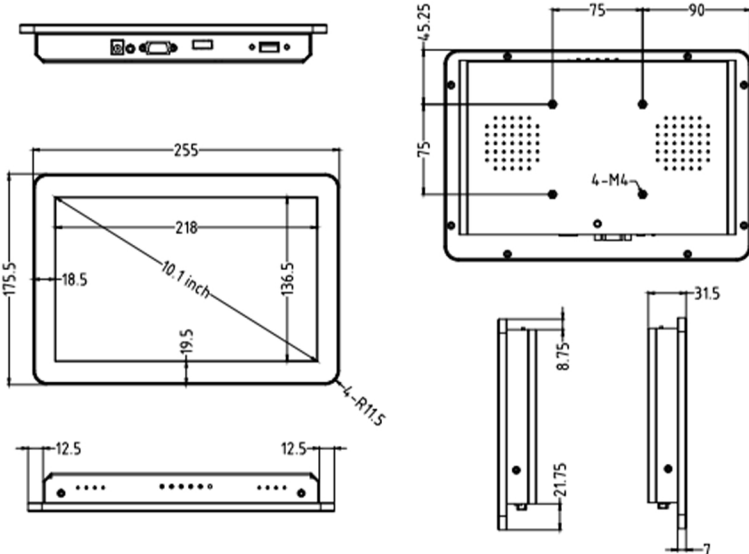
Versatile Installation

Wall mount / Embedded/VESA

Full Metal Chassis

corrosion and oxidation resistance

Dimension



LCD Panel

| | |
|----------------------------|-----------------|
| IP Rating | IP65 Front |
| Screen diagonal | 10.1inch |
| Display active screen size | 218(W)*136.5(H) |
| Aspect ratio | 16:10 |
| Physical resolution | 1280*800 |
| Colours displayed | 16.7M |
| Brightness (cd/m2) | 250 |
| Contrast | 1000:1 |
| Visual Angle H/V (°) | 175/175 |
| Backlight Lifetime (hours) | LED / 30,000 |

Touch Panel

| | |
|------------------|--|
| Touch Technology | Projected Capacitive 10-Point Multitouch |
| Touch Connector | USB |
| Surface Hardness | 7h |

External Connectors

| | | | |
|-----------|----|---------|----|
| 12v DC IN | x1 | HDMI IN | x1 |
| USB | x1 | VGA | X1 |
| Audio I/O | x1 | | |

Power

| | |
|--------------------------|-------------|
| Power Supply | 100-240VAC; |
| Working Power (V) | 12 |
| Power Consumption (W) | <20 |
| Stand-By Consumption (W) | <1 |

Operation

| | |
|----------------------------|----------------|
| Operating Temperature (°C) | 0°C-50°C |
| Humidity Range (RH) | 0% - 90% |
| Net weight (kg) | 0.8kg |
| Gross weight (kg) | 2kg |
| Housing material | Aluminum |
| Housing (mm) L × W × H | 255*175.5*28.2 |
| Mounting | 75*75 |

Included in the Delivery

| | | | |
|--------------------|----|----------------------|----|
| Manual | x1 | Power Supply | x1 |
| Wall mount bracket | x1 | USB CABLE+HDMI CABLE | X1 |

Installation



HI-TOP TOUCH SCREEN 11.6" TOUCH MONITOR



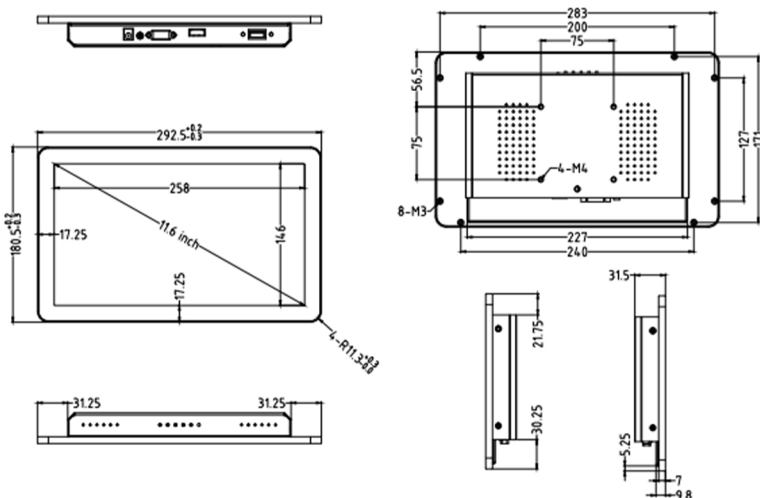
Versatile Installation

Wall mount / Embedded / VESA

Full Metal Chassis

corrosion and oxidation resistance

Dimension



LCD Panel

| | |
|----------------------------|---------------|
| IP Rating | IP65 Front |
| Screen diagonal | 11.6inch |
| Display active screen size | 258(W)*146(H) |
| Aspect ratio | 16:9 |
| Physical resolution | 1920*1080 |
| Colours displayed | 16.7M |
| Brightness (cd/m2) | 250 |
| Contrast | 1000:1 |
| Visual Angle H/V (°) | 175/175 |
| Backlight Lifetime (hours) | LED / 30,000 |

Touch Panel

| | |
|------------------|--|
| Touch Technology | Projected Capacitive 10-Point Multitouch |
| Touch Connector | USB |
| Surface Hardness | 7h |

External Connectors

| | | | |
|-----------|----|---------|----|
| 12v DC IN | x1 | HDMI IN | x1 |
| USB | x1 | VGA | X1 |
| Audio I/O | x1 | | |

Power

| | |
|--------------------------|--------------|
| Power Supply | 100-240V AC; |
| Working Power (V) | 12 |
| Power Consumption (W) | <20 |
| Stand-By Consumption (W) | <1 |

Operation

| | |
|----------------------------|--------------|
| Operating Temperature (°C) | 0°C-50°C |
| Humidity Range (RH) | 0% - 90% |
| Net weight (kg) | 1.19kg |
| Gross weight (kg) | 2.34kg |
| Housing material | Aluminum |
| Housing (mm) L × W × H | 293*181*31.5 |
| Mounting | 75*75 |

Included in the Delivery

| | | | |
|--------------------|----|----------------------|----|
| Manual | x1 | Power Supply | x1 |
| Wall mount bracket | x1 | USB CABLE+HDMI CABLE | X1 |

Installation



HI-TOP TOUCH SCREEN 14" TOUCH MONITOR



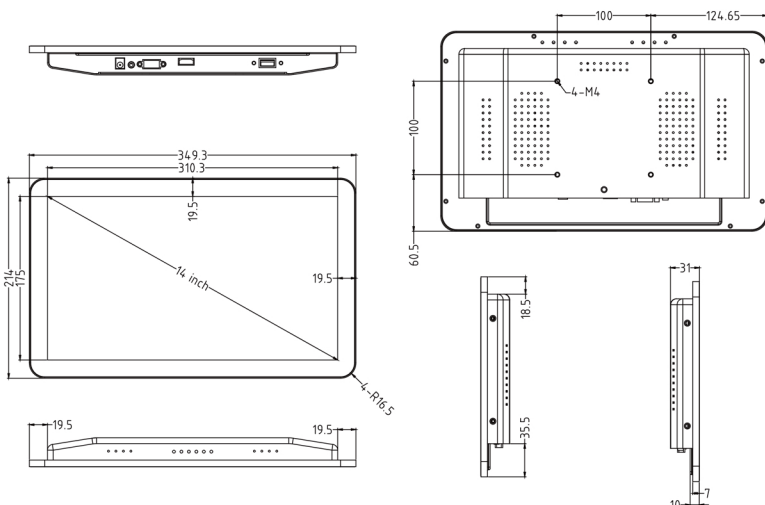
Versatile Installation

Wall mount / Embedded/VESA

Full Metal Chassis

corrosion and oxidation resistance

Dimension



LCD Panel

| | |
|----------------------------|-------------------|
| IP Rating | IP65 Front |
| Screen diagonal | 14inch |
| Display active screen size | 310.3 (W)*175 (H) |
| Aspect ratio | 16:9 |
| Physical resolution | 1920*1080 |
| Colours displayed | 16.7M |
| Brightness (cd/m2) | 250 |
| Contrast | 1000:1 |
| Visual Angle H/V (°) | 175/175 |
| Backlight Lifetime (hours) | LED / 30,000 |

Touch Panel

| | |
|------------------|--|
| Touch Technology | Projected Capacitive 10-Point Multitouch |
| Touch Connector | USB |
| Surface Hardness | 7h |

External Connectors

| | | | |
|-----------|----|---------|----|
| 12v DC IN | x1 | HDMI IN | x1 |
| USB | x1 | VGA | X1 |
| Audio I/O | x1 | | |

Power

| | |
|--------------------------|--------------|
| Power Supply | 100-240V AC; |
| Working Power (V) | 12 |
| Power Consumption (W) | <20 |
| Stand-By Consumption (W) | <1 |

Operation

| | |
|----------------------------|--------------|
| Operating Temperature (°C) | 0°C-50°C |
| Humidity Range (RH) | 0% - 90% |
| Net weight (kg) | 1.23kg |
| Gross weight (kg) | 2.34kg |
| Housing material | Aluminum |
| Housing (mm) L × W × H | 349.3*214*31 |
| Mounting | 100*100 |

Included in the Delivery

| | | | |
|--------------------|----|----------------------|----|
| Manual | x1 | Power Supply | x1 |
| Wall mount bracket | x1 | USB CABLE+HDMI CABLE | X1 |

Installation



HI-TOP TOUCH SCREEN 15.6" TOUCH MONITOR



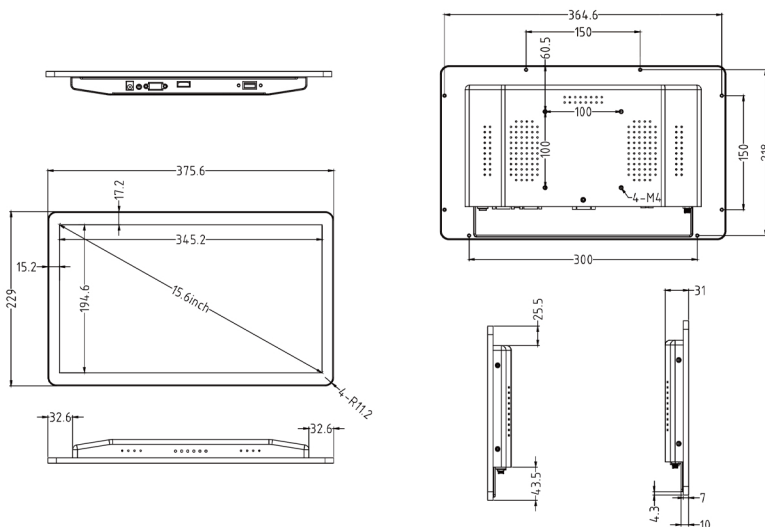
Versatile Installation

Wall mount / Embedded/VESA

Full Metal Chassis

corrosion and oxidation resistance

Dimension



LCD Panel

| | |
|----------------------------|---------------------|
| IP Rating | IP65 Front |
| Screen diagonal | 15.6inch |
| Display active screen size | 345.2 (W)*194.6 (H) |
| Aspect ratio | 16:9 |
| Physical resolution | 1920*1080 |
| Colours displayed | 16.7M |
| Brightness (cd/m2) | 250 |
| Contrast | 1000:1 |
| Visual Angle H/V (°) | 175/175 |
| Backlight Lifetime (hours) | LED / 30,000 |

Touch Panel

| | |
|------------------|--|
| Touch Technology | Projected Capacitive 10-Point Multitouch |
| Touch Connector | USB |
| Surface Hardness | 7h |

External Connectors

| | | | |
|-----------|----|---------|----|
| 12v DC IN | x1 | HDMI IN | x1 |
| USB | x1 | VGA | X1 |
| Audio I/O | x1 | | |

Power

| | |
|--------------------------|--------------|
| Power Supply | 100-240V AC; |
| Working Power (V) | 12 |
| Power Consumption (W) | <20 |
| Stand-By Consumption (W) | <1 |

Operation

| | |
|----------------------------|--------------|
| Operating Temperature (°C) | 0°C-50°C |
| Humidity Range (RH) | 0% - 90% |
| Net weight (kg) | 1.65kg |
| Gross weight (kg) | 3.07kg |
| Housing material | Aluminum |
| Housing (mm) L × W × H | 394*241*34.9 |
| Mounting | 75*75 |

Included in the Delivery

| | | | |
|--------------------|----|----------------------|----|
| Manual | x1 | Power Supply | x1 |
| Wall mount bracket | x1 | USB CABLE+HDMI CABLE | X1 |

Installation



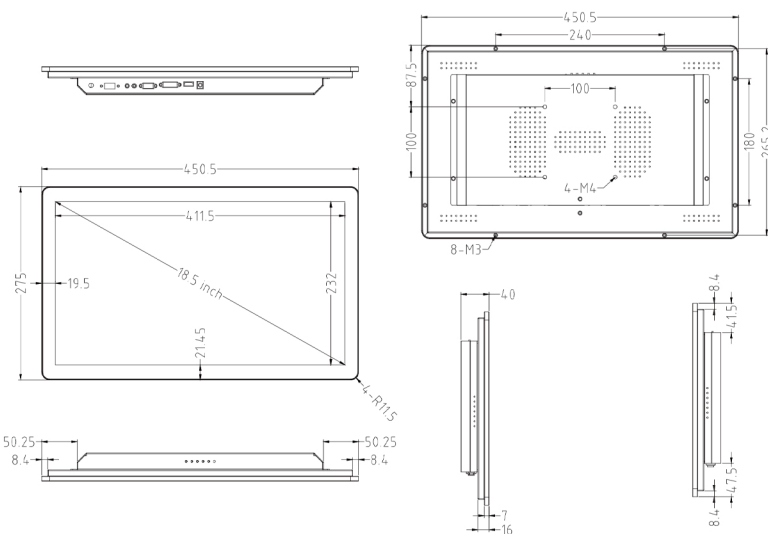
HI-TOP TOUCH SCREEN 18.5" TOUCH MONITOR



FHD display
pure and natural color

Sheet metal Chassis
corrosion and oxidation resistance

Dimension



LCD Panel

| | |
|----------------------------|--------------------|
| IP Rating | IP65 Front |
| Screen diagonal | 18.5inch |
| Display active screen size | 411.5 (W)*232 (H) |
| Aspect ratio | 16:9 |
| Physical resolution | 1366*768/1920*1080 |
| Colours displayed | 16.7M |
| Brightness (cd/m2) | 250 |
| Contrast | 1000:1 |
| Visual Angle H/V (°) | 175/175 |
| Backlight Lifetime (hours) | LED / 30,000 |

Touch Panel

| | |
|------------------|--|
| Touch Technology | Projected Capacitive 10-Point Multitouch |
| Touch Connector | USB |
| Surface Hardness | 7h |

External Connectors

| | | | |
|-----------|----|---------|----|
| 12v DC IN | x1 | HDMI IN | x1 |
| USB | x1 | VGA | X1 |
| Audio I/O | x1 | | |

Power

| | |
|--------------------------|--------------|
| Power Supply | 100-240V AC; |
| Working Power (V) | 12 |
| Power Consumption (W) | <20 |
| Stand-By Consumption (W) | <1 |

Operation

| | |
|----------------------------|--------------|
| Operating Temperature (°C) | 0°C-50°C |
| Humidity Range (RH) | 0% - 90% |
| Net weight (kg) | 3.8kg |
| Gross weight (kg) | 5.95kg |
| Housing material | Sheet Metal |
| Housing (mm) L × W × H | 450.5*275*40 |
| Mounting | 100*100 |

Included in the Delivery

| | | | |
|--------------------|----|----------------------|----|
| Manual | x1 | Power Supply | x1 |
| Wall mount bracket | x1 | USB CABLE+HDMI CABLE | X1 |

Installation



HI-TOP TOUCH SCREEN 21.5" TOUCH MONITOR



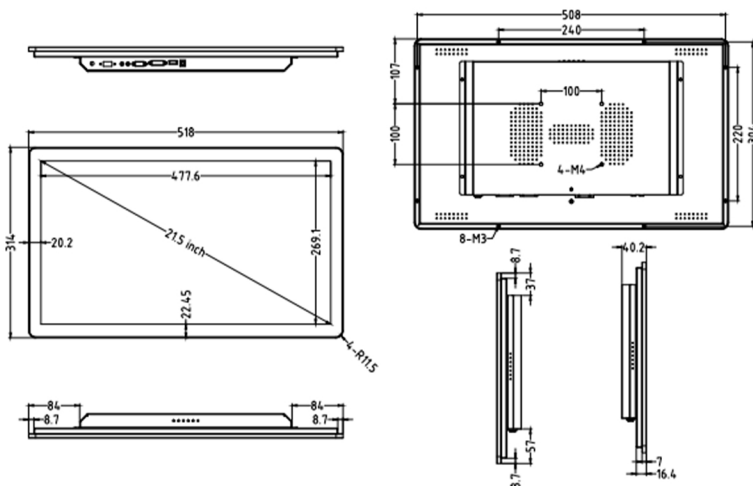
FHD display

pure and natural color

Sheet metal Chassis

corrosion and oxidation resistance

Dimension



LCD Panel

| | |
|----------------------------|-------------------|
| IP Rating | IP65 Front |
| Screen diagonal | 21.5inch |
| Display active screen size | 477.6(W)*269.1(H) |
| Aspect ratio | 16:9 |
| Physical resolution | 1920*1080 |
| Colours displayed | 16.7M |
| Brightness (cd/m2) | 300 |
| Contrast | 1000:1 |
| Visual Angle H/V (°) | 175/175 |
| Backlight Lifetime (hours) | LED 30,000 |

Touch Panel

| | |
|------------------|--|
| Touch Technology | Projected Capacitive 10-Point Multitouch |
| Touch Connector | USB |
| Surface Hardness | 7h |

External Connectors

| | | | |
|-----------|----|---------|----|
| 12v DC IN | x1 | HDMI IN | x1 |
| USB | x1 | VGA | X1 |
| Audio I/O | x1 | | |

Power

| | |
|--------------------------|--------------|
| Power Supply | 100-240V AC; |
| Working Power (V) | 12 |
| Power Consumption (W) | <20 |
| Stand-By Consumption (W) | <1 |

Operation

| | |
|----------------------------|--------------|
| Operating Temperature (°C) | 0°C-50°C |
| Humidity Range (RH) | 0% - 90% |
| Net weight (kg) | 4.9kg |
| Gross weight (kg) | 7.1kg |
| Housing material | Sheet Metal |
| Housing (mm) L × W × H | 518*314*40.2 |
| Mounting | 100*100 |

Included in the Delivery

| | | | |
|--------------------|----|----------------------|----|
| Manual | x1 | Power Supply | x1 |
| Wall mount bracket | x1 | USB CABLE+HDMI CABLE | X1 |

Installation



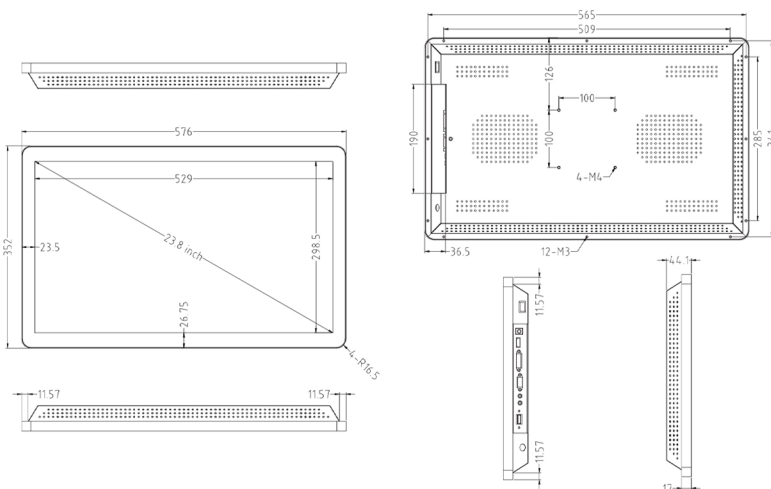
HI-TOP TOUCH SCREEN 23.8" TOUCH MONITOR



FHD display
pure and natural color

Sheet metal Chassis
corrosion and oxidation resistance

Dimension



LCD Panel

| | |
|----------------------------|------------------|
| IP Rating | IP65 Front |
| Screen diagonal | 23.8inch |
| Display active screen size | 529(W)*298.5 (H) |
| Aspect ratio | 16:9 |
| Physical resolution | 1920*1080 |
| Colours displayed | 16.7M |
| Brightness (cd/m2) | 250 |
| Contrast | 1000:1 |
| Visual Angle H/V (°) | 175/175 |
| Backlight Lifetime (hours) | LED / 30,000 |

Touch Panel

| | |
|------------------|--|
| Touch Technology | Projected Capacitive 10-Point Multitouch |
| Touch Connector | USB |
| Surface Hardness | 7h |

External Connectors

| | | | |
|-----------|----|---------|----|
| 12v DC IN | x1 | HDMI IN | x1 |
| USB | x1 | VGA | X1 |
| Audio I/O | x1 | | |

Power

| | |
|--------------------------|--------------|
| Power Supply | 100-240V AC; |
| Working Power (V) | 12 |
| Power Consumption (W) | <20 |
| Stand-By Consumption (W) | <1 |

Operation

| | |
|----------------------------|--------------|
| Operating Temperature (°C) | 0°C-50°C |
| Humidity Range (RH) | 0% - 90% |
| Net weight (kg) | 7.98kg |
| Gross weight (kg) | 10.2kg |
| Housing material | Sheet Metal |
| Housing (mm) L × W × H | 576*352*44.1 |
| Mounting | 100*100 |

Included in the Delivery

| | | | |
|--------------------|----|----------------------|----|
| Manual | x1 | Power Supply | x1 |
| Wall mount bracket | x1 | USB CABLE+HDMI CABLE | X1 |

Installation



HI-TOP TOUCH SCREEN 27" TOUCH MONITOR



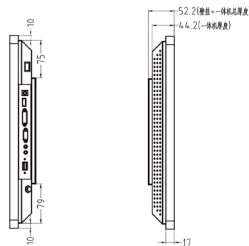
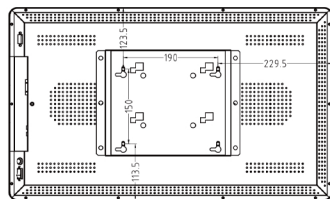
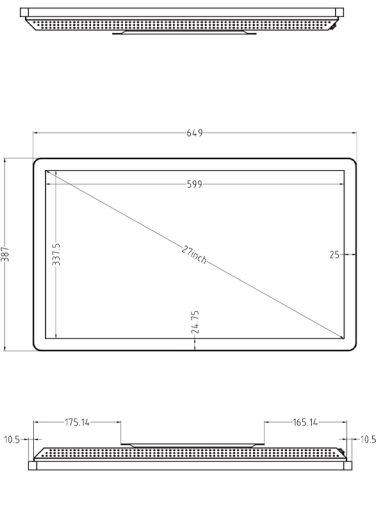
FHD display

pure and natural color

Sheet metal Chassis

corrosion and oxidation resistance

Dimension



LCD Panel

| | |
|----------------------------|------------------|
| IP Rating | IP65 Front |
| Screen diagonal | 27inch |
| Display active screen size | 599(W)*337.5 (H) |
| Aspect ratio | 16:9 |
| Physical resolution | 1920*1080 |
| Colours displayed | 16.7M |
| Brightness (cd/m2) | 250 |
| Contrast | 1000:1 |
| Visual Angle H/V (°) | 175/175 |
| Backlight Lifetime (hours) | LED / 30,000 |

Touch Panel

| | |
|------------------|--|
| Touch Technology | Projected Capacitive 10-Point Multitouch |
| Touch Connector | USB |
| Surface Hardness | 7h |

External Connectors

| | | | |
|-----------|----|---------|----|
| 12v DC IN | x1 | HDMI IN | x1 |
| USB | x1 | VGA | X1 |
| Audio I/O | x1 | | |

Power

| | |
|--------------------------|--------------|
| Power Supply | 100-240V AC; |
| Working Power (V) | 12 |
| Power Consumption (W) | <20 |
| Stand-By Consumption (W) | <1 |

Operation

| | |
|----------------------------|--------------|
| Operating Temperature (°C) | 0°C-50°C |
| Humidity Range (RH) | 0% - 90% |
| Net weight (kg) | 9.7kg |
| Gross weight (kg) | 15.6kg |
| Housing material | Sheet Metal |
| Housing (mm) L × W × H | 648*387*44.2 |
| Mounting | 100*100 |

Included in the Delivery

| | | | |
|--------------------|----|----------------------|----|
| Manual | x1 | Power Supply | x1 |
| Wall mount bracket | x1 | USB CABLE+HDMI CABLE | X1 |

Installation



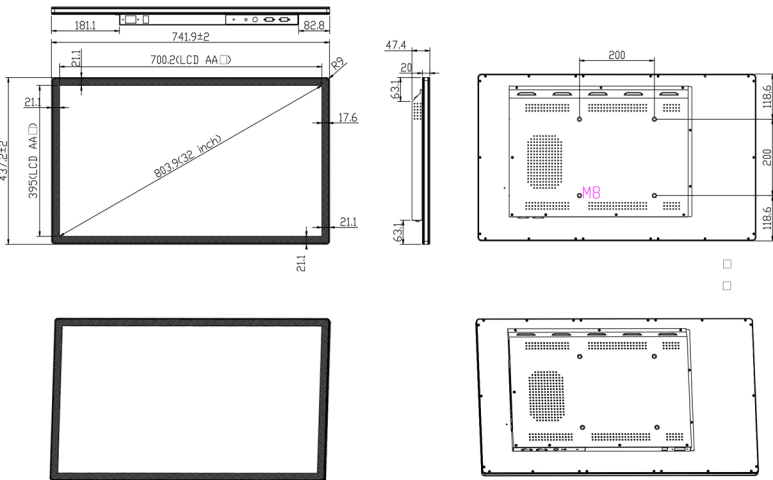
HI-TOP TOUCH SCREEN 32" TOUCH MONITOR



FHD display
pure and natural color

Sheet metal Chassis
corrosion and oxidation resistance

Dimension



LCD Panel

| | |
|----------------------------|-------------------|
| IP Rating | IP65 Front |
| Screen diagonal | 32inch |
| Display active screen size | 700.2(W)*395(H)mm |
| Aspect ratio | 16:9 |
| Physical resolution | 1920*1080 |
| Colours displayed | 16.7M |
| Brightness (cd/m2) | 300-350 |
| Contrast | 1000:1 |
| Visual Angle H/V (°) | 175/175 |
| Backlight Lifetime (hours) | LED 30,000 |

Touch Panel

| | |
|------------------|--|
| Touch Technology | Projected Capacitive 10-Point Multitouch |
| Touch Connector | USB |
| Surface Hardness | 7h |

External Connectors

| | | | |
|-----------|----|---------|----|
| 12v DC IN | x1 | HDMI IN | x1 |
| USB | x1 | VGA | X1 |
| Audio I/O | x1 | | |

Power

| | |
|--------------------------|--------------|
| Power Supply | 100-240V AC; |
| Working Power (V) | 12 |
| Power Consumption (W) | <20 |
| Stand-By Consumption (W) | <1 |

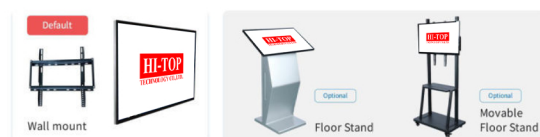
Operation

| | |
|----------------------------|------------------|
| Operating Temperature (°C) | -10°C-60°C |
| Humidity Range (RH) | 0% - 90% |
| Net weight (kg) | 11.3kg |
| Gross weight (kg) | 15.7kg |
| Housing material | Sheet Metal |
| Housing (mm) L × W × H | 741.4*436.2*47.4 |
| Mounting | 200*200 |

Included in the Delivery

| | | | |
|--------------------|----|----------------------|----|
| Manual | x1 | Power Supply | x1 |
| Wall mount bracket | x1 | USB CABLE+HDMI CABLE | X1 |

Installation



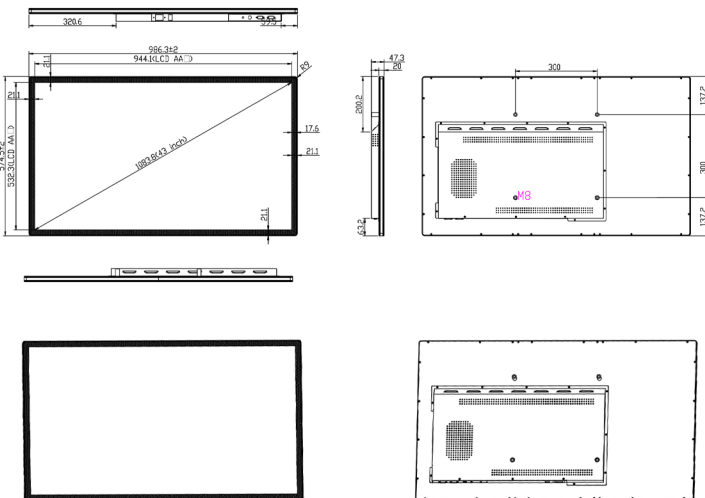
HI-TOP TOUCH SCREEN 43" TOUCH MONITOR



FHD display
pure and natural color

Industrial Touch Panel
Self-developed TP-ilitek&EETI

Dimension



LCD Panel

| | |
|----------------------------|-------------------|
| IP Rating | IP65 Front |
| Screen diagonal | 43inch |
| Display active screen size | 944.1(W)*532.3(H) |
| Aspect ratio | 16:9 |
| Physical resolution | 1920*1080 |
| Colours displayed | 16.7M |
| Brightness (cd/m2) | 300-350 |
| Contrast | 1000:1 |
| Visual Angle H/V (°) | 175/175 |
| Backlight Lifetime (hours) | LED 30,000 |

Touch Panel

| | |
|------------------|--|
| Touch Technology | Projected Capacitive 10-Point Multitouch |
| Touch Connector | USB |
| Surface Hardness | 7h |

External Connectors

| | | | |
|-----------|----|---------|----|
| 12v DC IN | x1 | HDMI IN | x1 |
| USB | x1 | VGA | X1 |
| Audio I/O | x1 | | |

Power

| | |
|--------------------------|--------------|
| Power Supply | 100-240V AC; |
| Working Power (V) | 12 |
| Power Consumption (W) | <20 |
| Stand-By Consumption (W) | <1 |

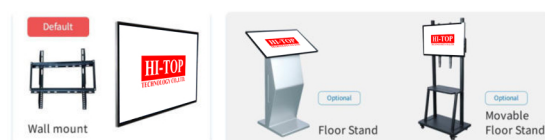
Operation

| | |
|----------------------------|------------------|
| Operating Temperature (°C) | 0°C-50°C |
| Humidity Range (RH) | 10% - 90% |
| Net weight (kg) | 17.6kg |
| Gross weight (kg) | 22kg |
| Housing material | Sheet Metal |
| Housing (mm) L × W × H | 986.3*574.5*47.3 |
| Mounting | 300*300 |

Included in the Delivery

| | | | |
|--------------------|----|----------------------|----|
| Manual | x1 | Power Supply | x1 |
| Wall mount bracket | x1 | USB CABLE+HDMI CABLE | X1 |

Installation



SITE REFERENCE

ตัวอย่างลูกค้า

